

PART NAME

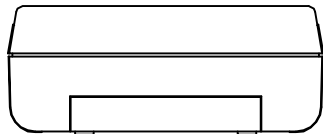
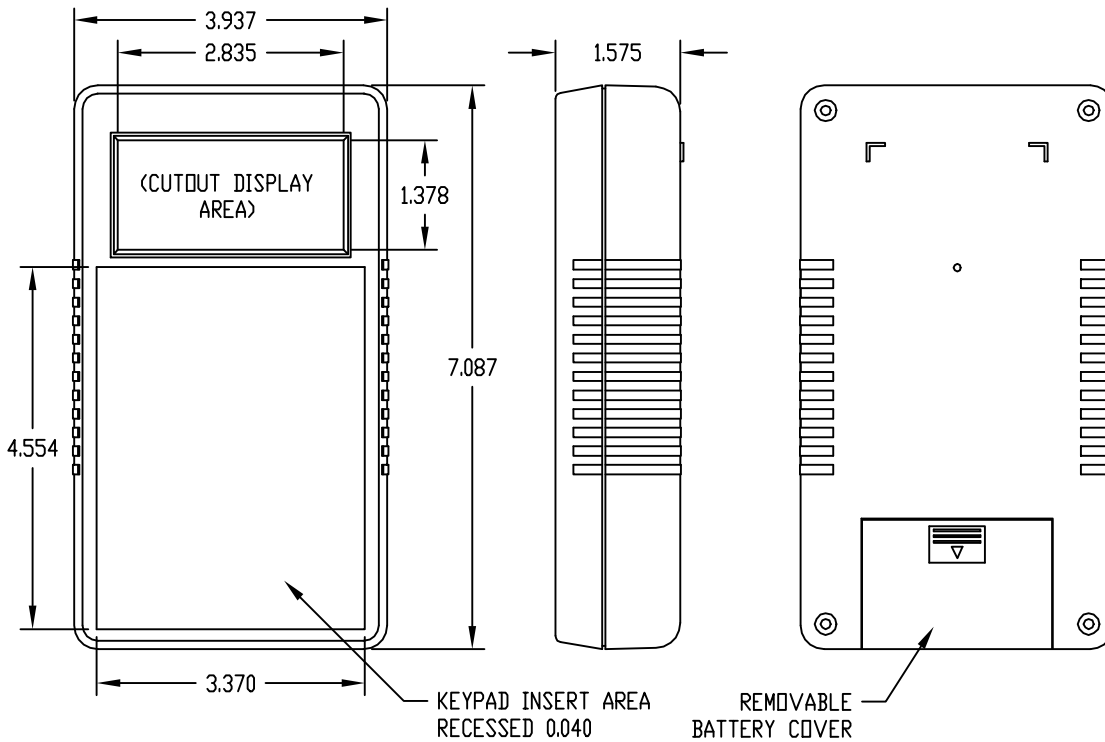
HAND HELD ENCLOSURE (STYLE A)

PART No.

HH-3401-BC

MATERIAL: HIGH-IMPACT ABS (RATED UL94-V0)  
COLOR: LIGHT GRAY

ALL DIMENSIONS HAVE ±0.015 TOLERANCE  
FOUR (4) M3 × 1.173 LG. SCREWS  
SUPPLIED FOR ASSEMBLY



NOTE: MOUNTING BOSSES USE  
#4 × 1/4 LG. SCREWS  
(NOT SUPPLIED)

