

PART NAME UTILIBOX (STYLE H)

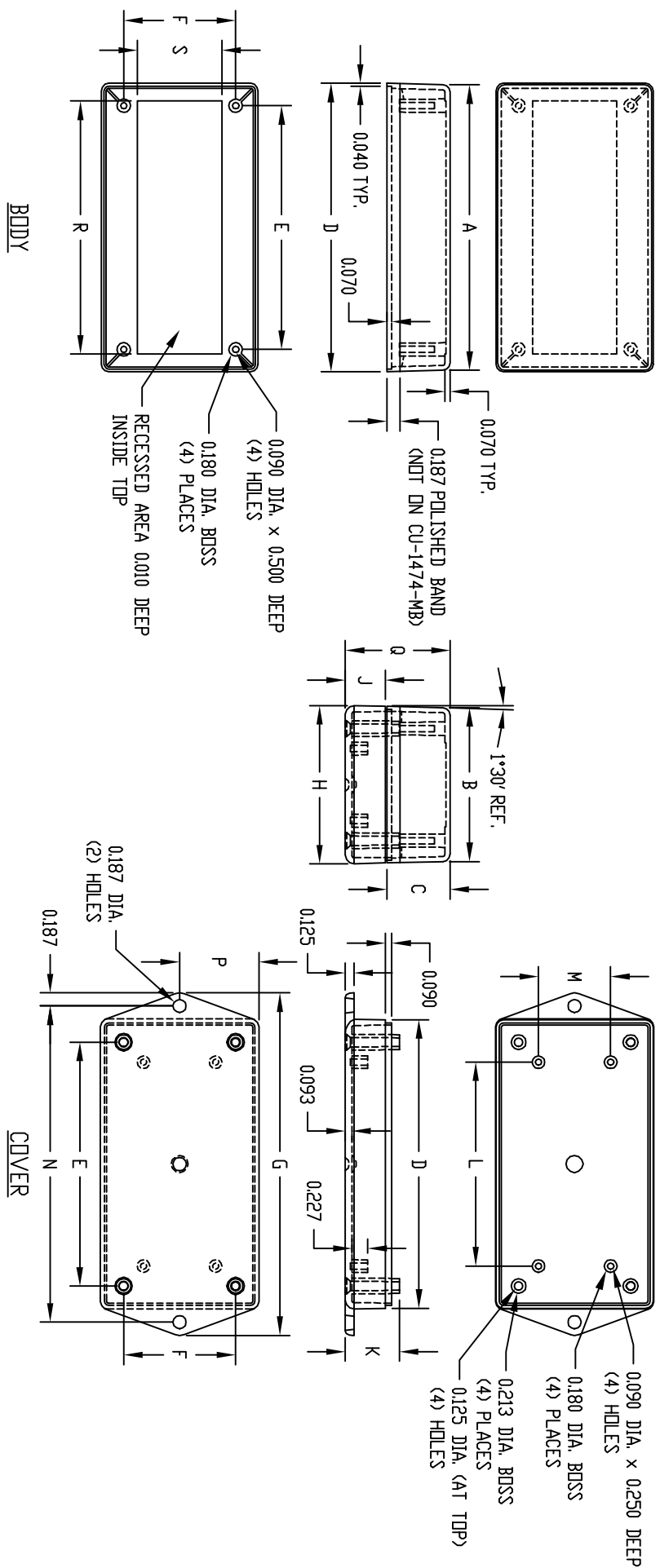
PART No. CU-1470-MB TO CU-1474-MB

MATERIAL: ABS THERMOPLASTIC (FLAMMABILITY RATING OF 94-V0 AT 0.070" THICKNESS AND CONTINUOUS USE TEMPERATURE OF 70° C.)

FINISH: BODY - OUTSIDE SURFACES ARE TEXTURED FINISH
COVER - VERTICAL OUTSIDE SURFACES ARE TEXTURED
REMAINDER OF PART IS SMOOTH.

LENGTH AND WIDTH DIMENSIONS ARE TAKEN FROM CLOSED END OF THE BOX. DIMENSIONS INCREASE SLIGHTLY AT OPEN END DUE TO TAPER.
NOTE: ALL DIMENSIONS HAVE ±0.010 TOLERANCE UNLESS OTHERWISE SPECIFIED.

COLOR: BLACK



PART No.	A	B	C	D	E	F	G	H	J	K	L	M	N	P	Q	R	S
CU-1470-MB	3.000	2.000	0.900	3.079	2.616	1.616	3.875	2.102	0.570	0.770	2.080	1.080	3.500	1.051	1.490	---	---
CU-1471-MB	3.000	2.000	0.900	3.079	2.616	1.616	3.875	2.102	0.570	0.770	2.080	1.080	3.500	1.051	2.090	---	---
CU-1472-MB	3.000	3.000	1.500	3.079	2.616	2.616	3.875	3.102	0.570	0.770	2.125	2.125	3.500	1.551	2.090	---	---
CU-1473-MB	4.000	1.750	1.000	4.052	3.589	1.339	4.875	1.809	0.250	0.450	3.088	0.828	4.500	0.904	1.270	---	---
CU-1474-MB	4.000	2.188	0.900	4.105	3.469	1.594	4.875	2.253	0.570	0.740	2.902	1.026	4.500	1.127	1.490	3.603	1.200