

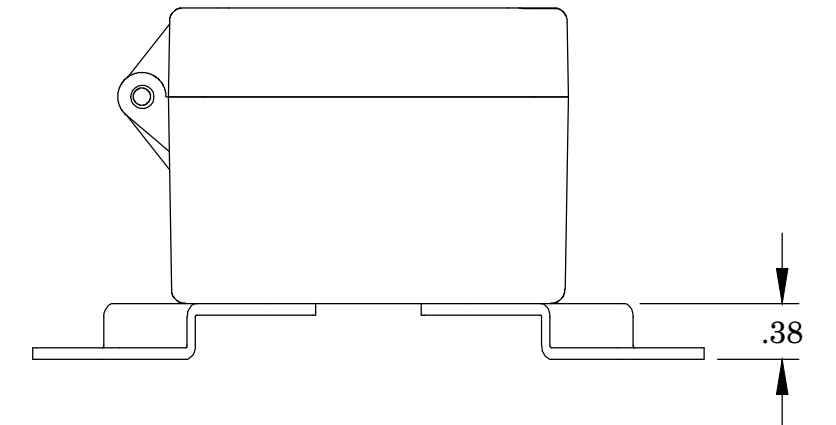
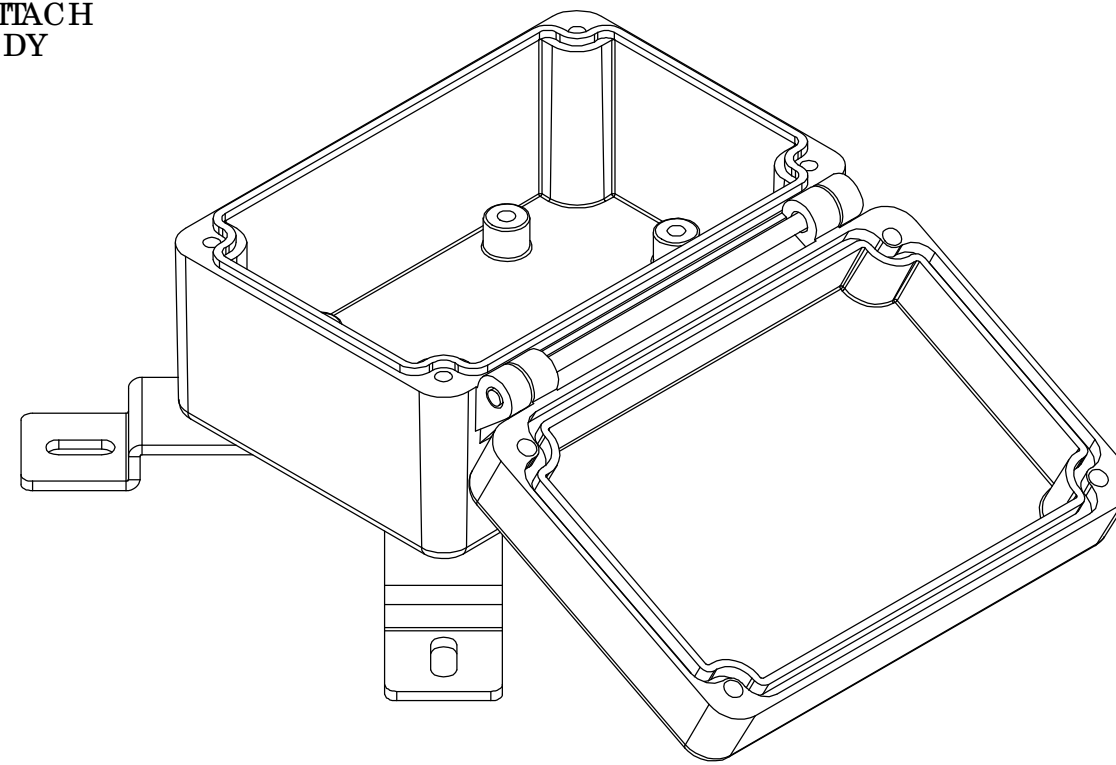
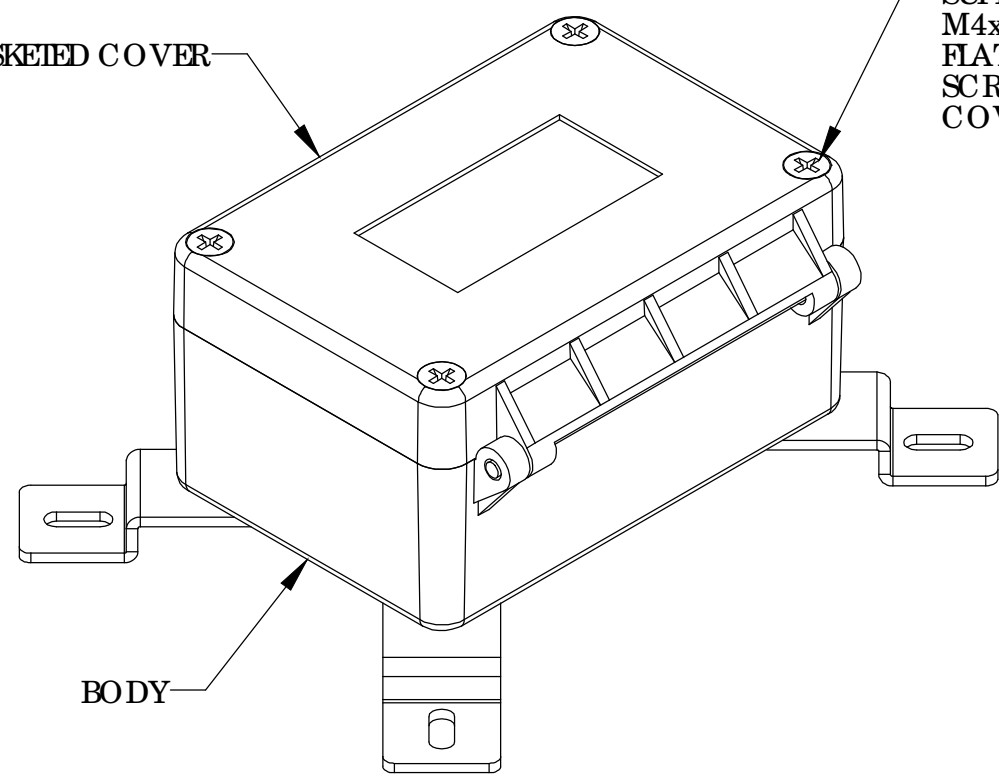
THE INFORMATION CONTAINED IN THIS DRAWING IS THE SOLE PROPERTY OF BUD INDUSTRIES INC. ANY REPRODUCTION IN PART OR WHOLE WITHOUT THE WRITTEN PERMISSION OF BUD INDUSTRIES INC. IS PROHIBITED.

DWG. NO.	AN-2900
ISSUE	REVISIONS
(A)	UPDATED DRAWING 8-8-08 DAB

GASKETED COVER

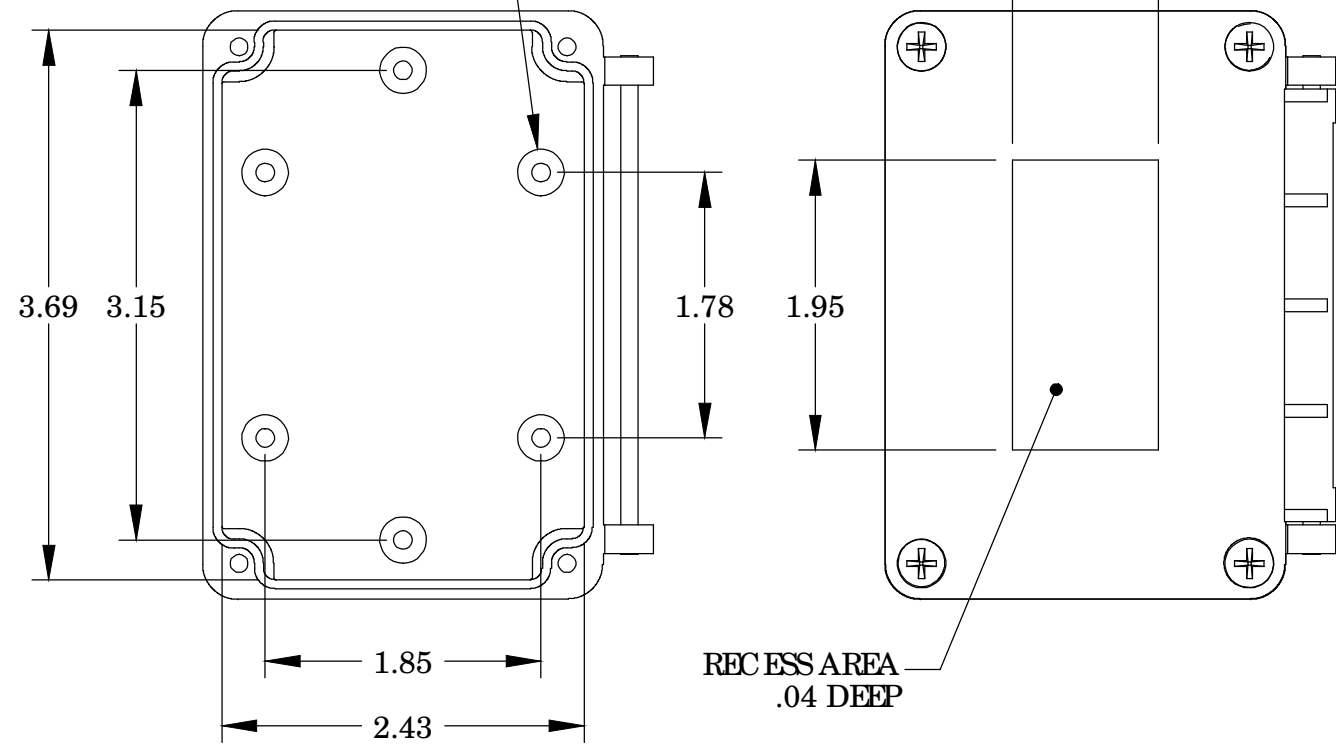
SUPPLIED WITH (4)  
M4x.7 x .79" LG.  
FLATHEAD MACHINE  
SCREWS TO ATTACH  
COVER TO BODY

BODY



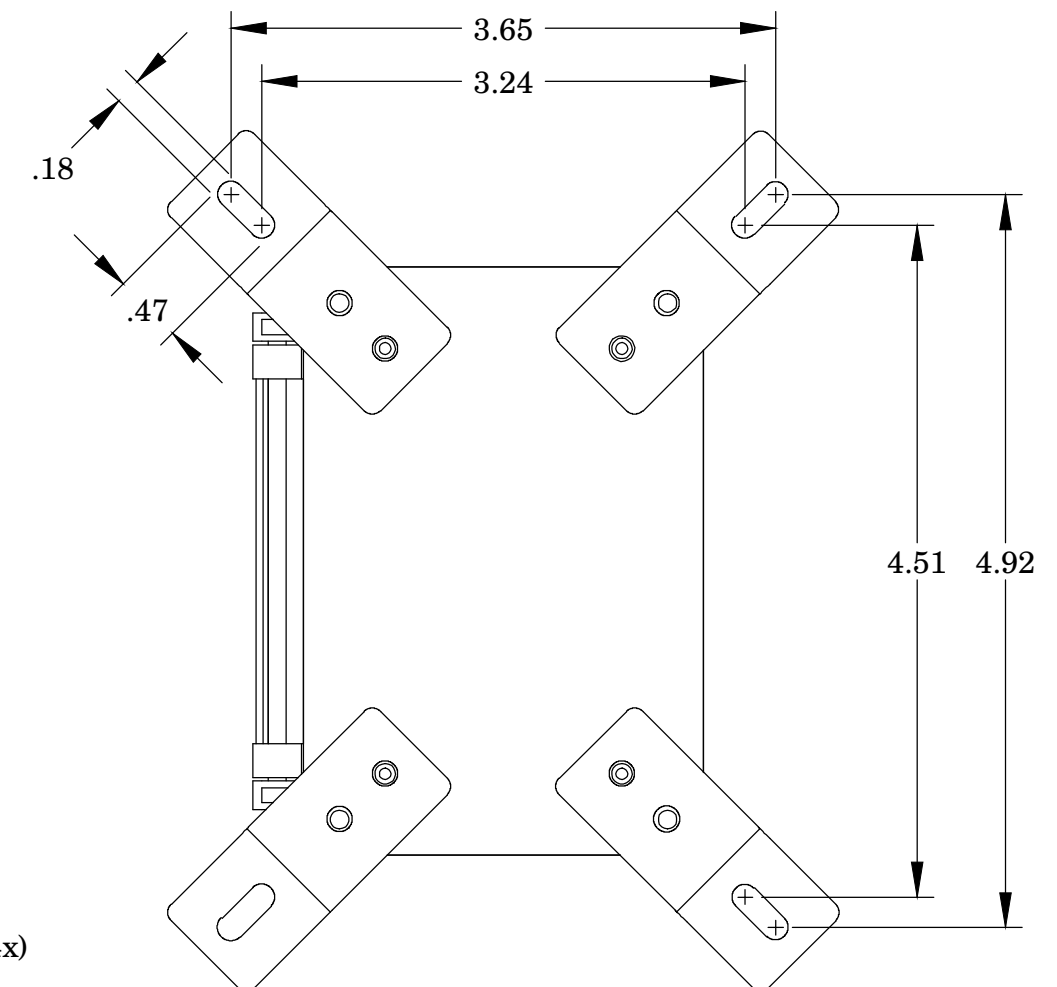
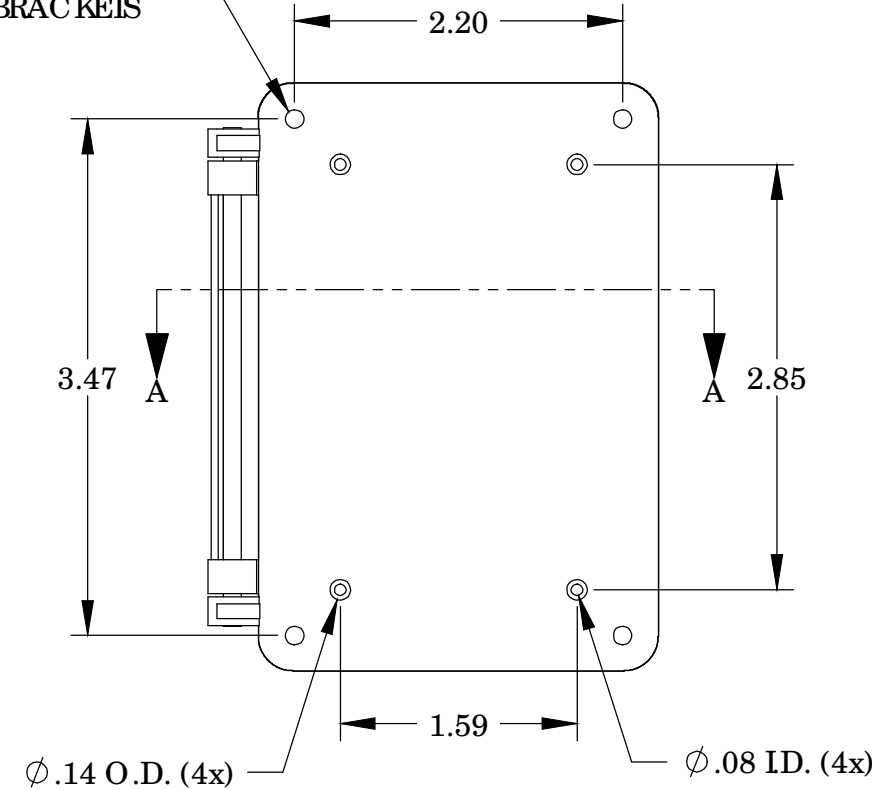
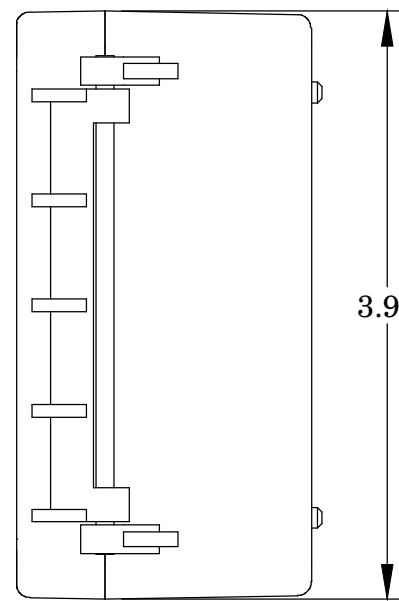
Ø.31 BOSS WITH  
M4x.7 TAPPED HOLE  
x .25 DEEP (6) PLACES

M4x.7 TAPPED HOLE  
.40 DEEP IN BODY  
(4) PLACES FOR WALL  
MOUNT BRACKETS

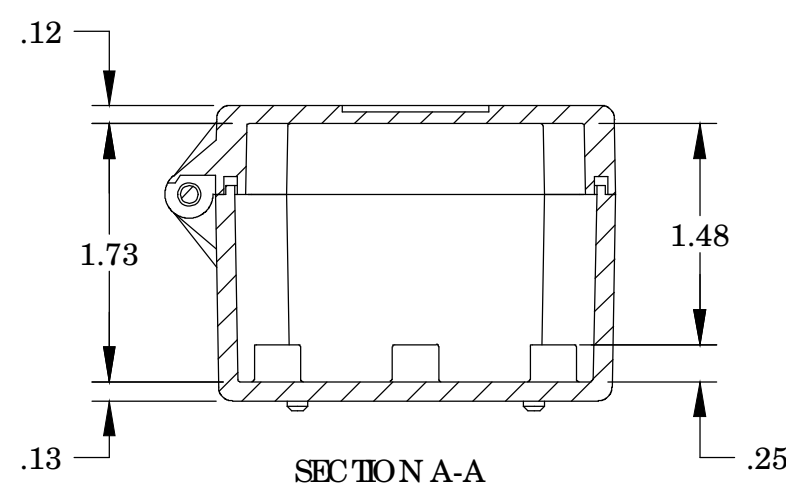
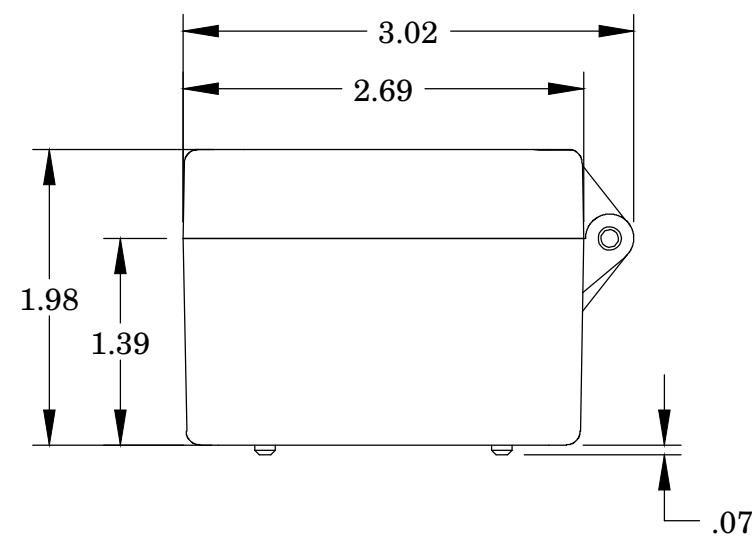


VIEW LESS COVER

RECESS AREA  
.04 DEEP



REFERENCE SHOWN WITH MOUNTING BRACKETS  
ASSEMBLED (SHIPPED UNASSEMBLED AND  
SUPPLIED WITH M4x.7 x .33" LG. PAN HD. SCREWS)



SECTION A-A

MATERIAL: ALUMINUM ADC-12  
FINISH: SMOOTH BLACK POWDER COAT

QTY.		USED ON		DO NOT SCALE DRAWING		PARTS LIST		BUD INDUSTRIES INC.	
						CAD GENERATED DRAWING, DO NOT MANUALLY UPDATE		NEMA HINGED BOX	
						APPROVALS		DATE	
						DRAWN DP		5/31/05	
						CHECKED			
						APPROVED			
						FINISH AS NOTED			
						SIZE C		DWG. NO. AN-2900	
						SCALE		CAD FILE	
								SUBSET 1 OF 1	