

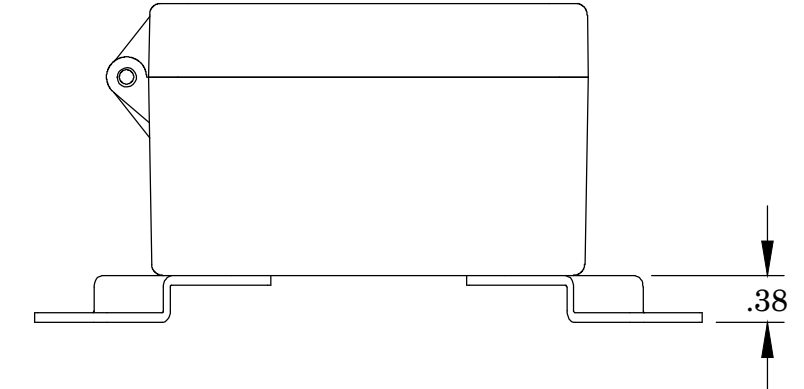
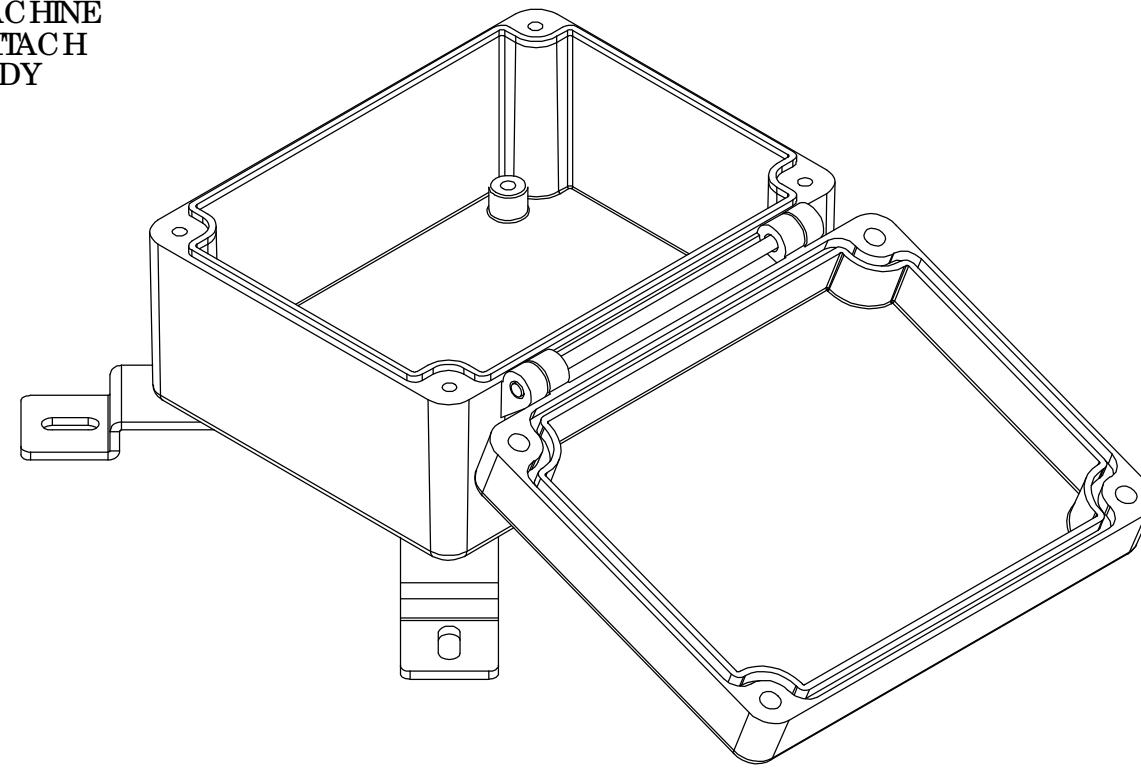
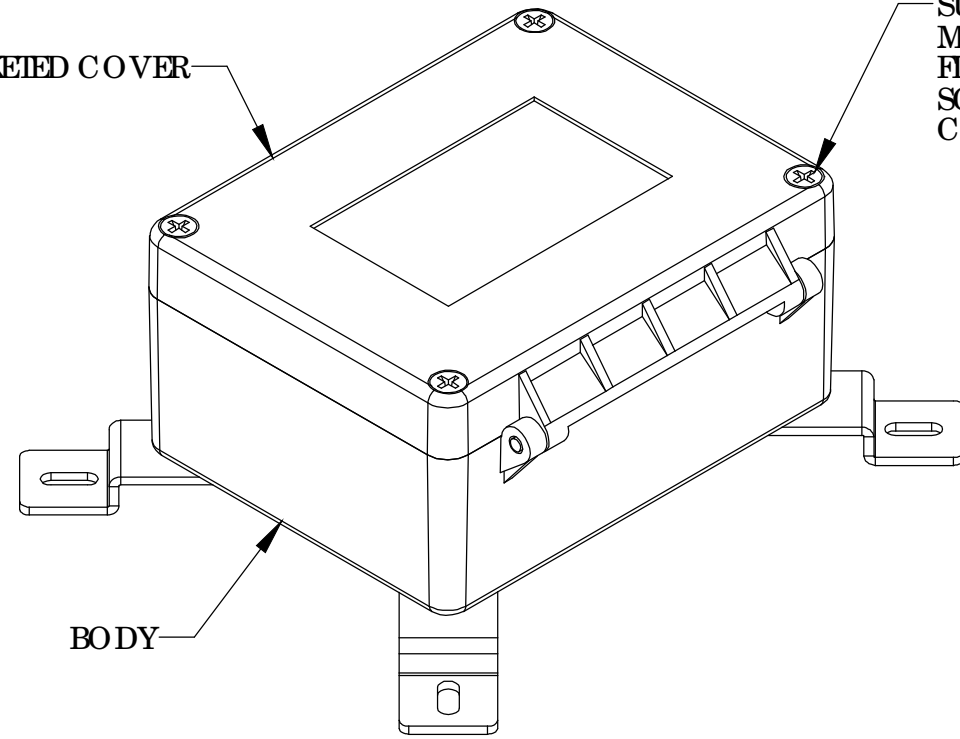
THE INFORMATION CONTAINED IN THIS DRAWING IS THE SOLE PROPERTY OF BUD INDUSTRIES INC. ANY REPRODUCTION IN PART OR WHOLE WITHOUT THE WRITTEN PERMISSION OF BUD INDUSTRIES INC. IS PROHIBITED.

DWG. NO.	AN-2901
ISSUE	REVISIONS
(A)	UPDATED DRAWING 8-8-08 DAB

GASKEIRED COVER

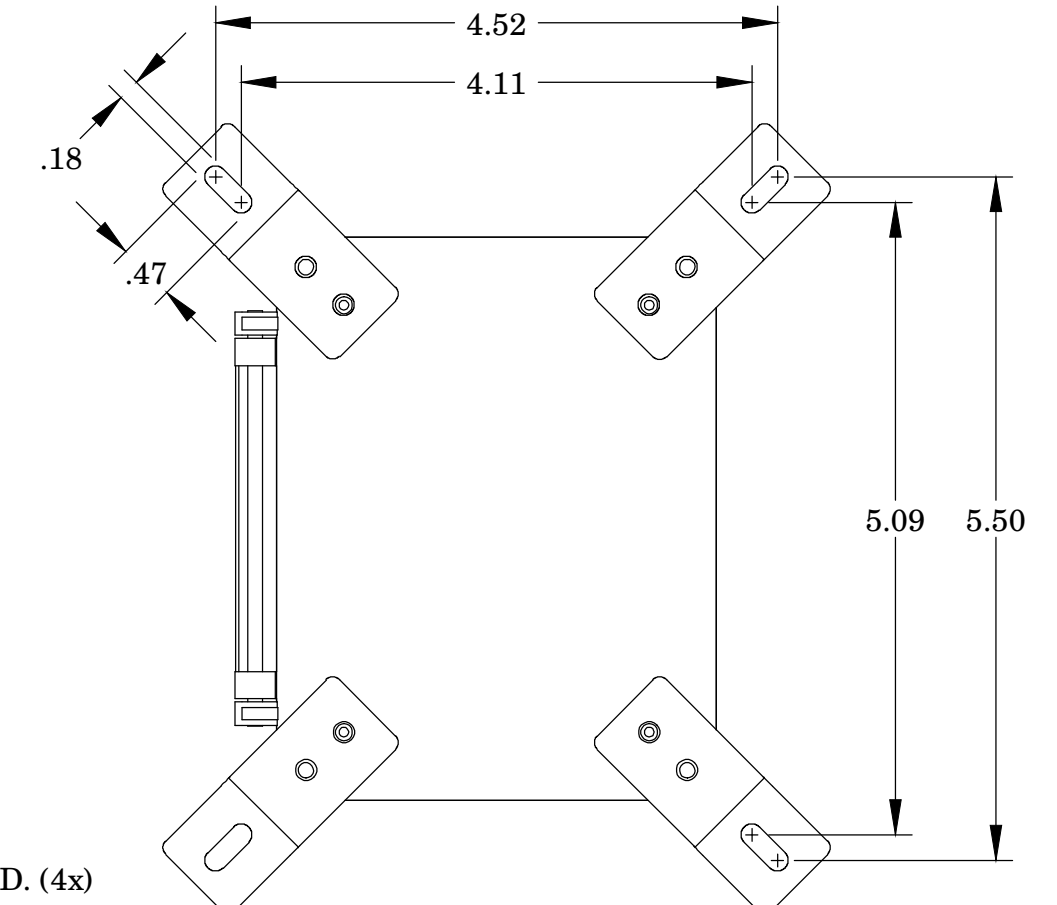
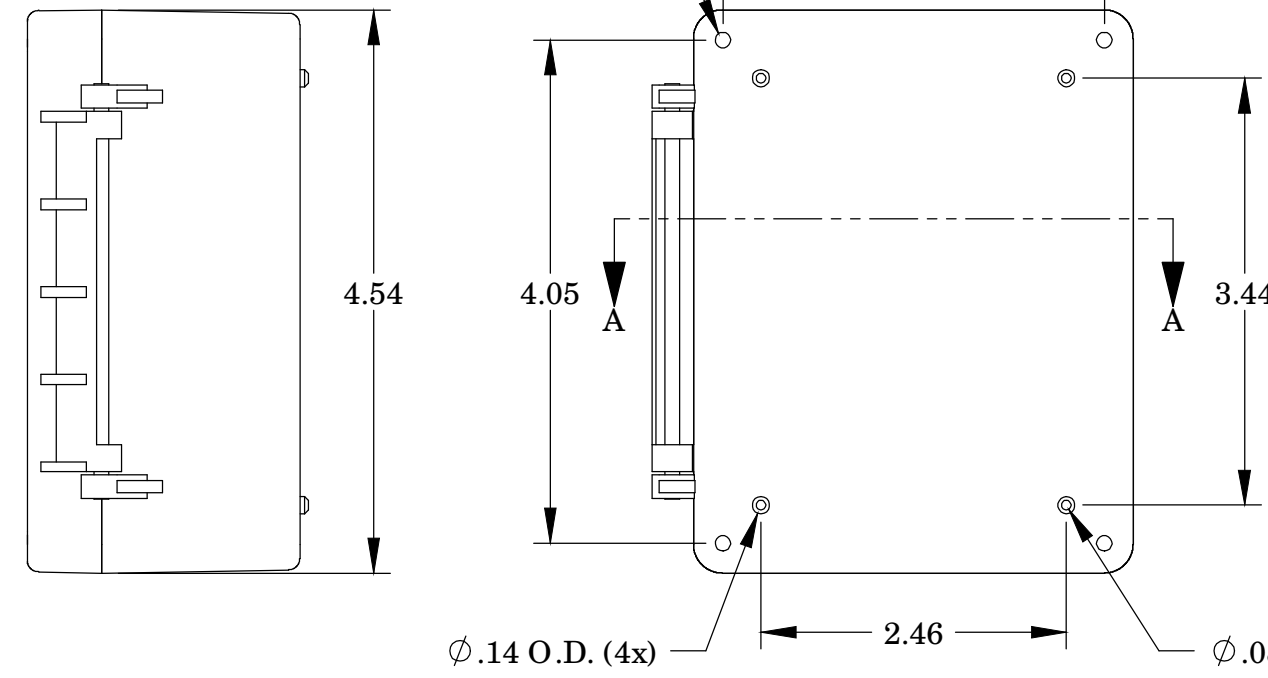
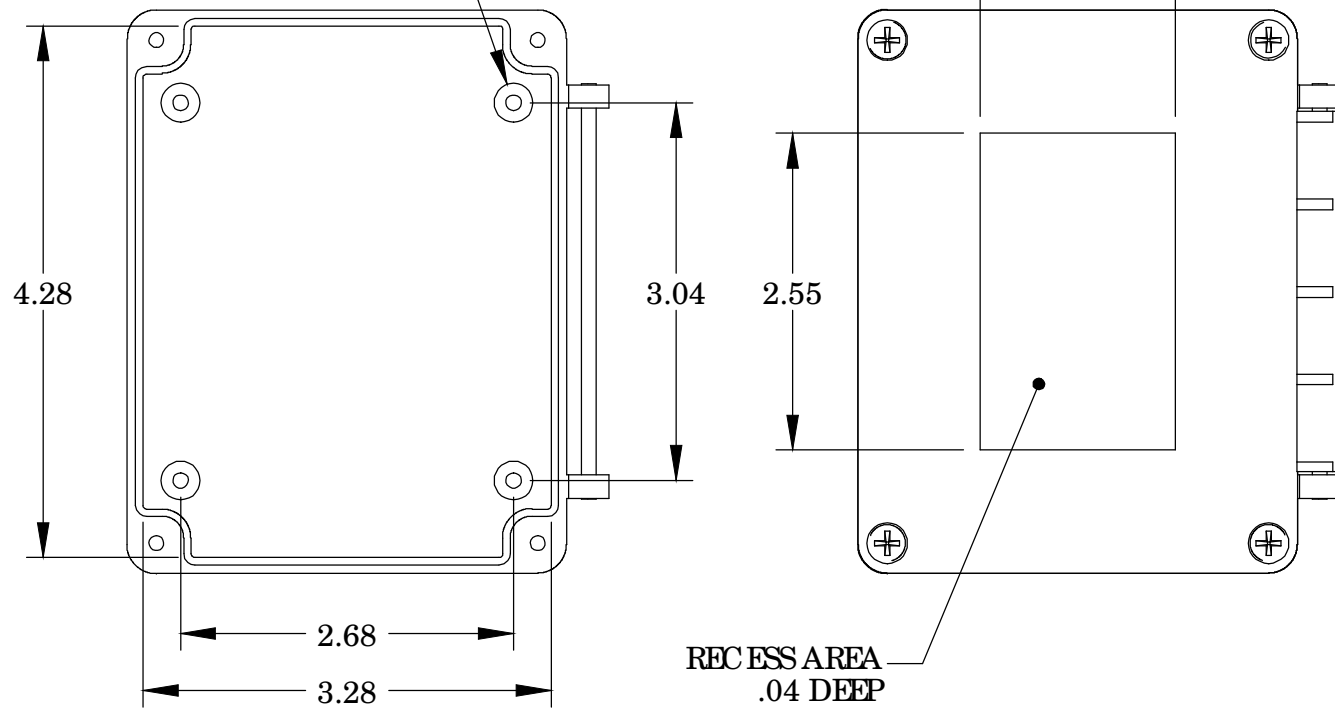
SUPPLIED WITH (4)
M4x.7 x .79" LG.
FLATHEAD MACHINE
SCREWS TO ATTACH
COVER TO BODY

BODY



Ø.31 BOSS WITH
M4x.7 TAPPED HOLE
x .25 DEEP (4) PLACES

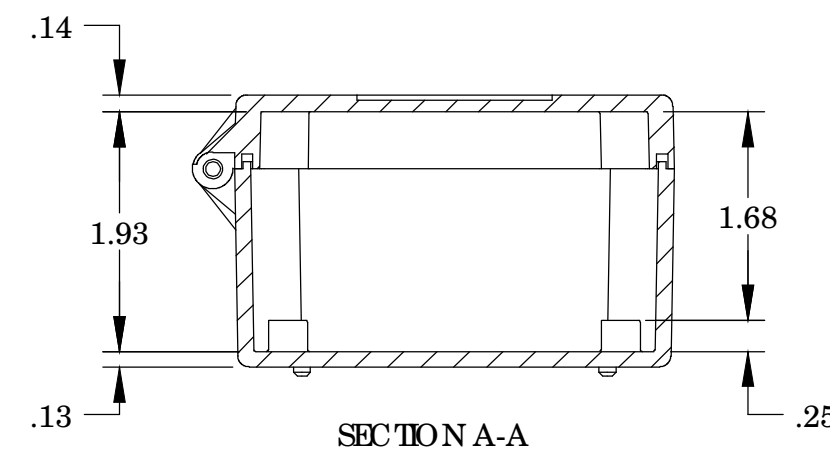
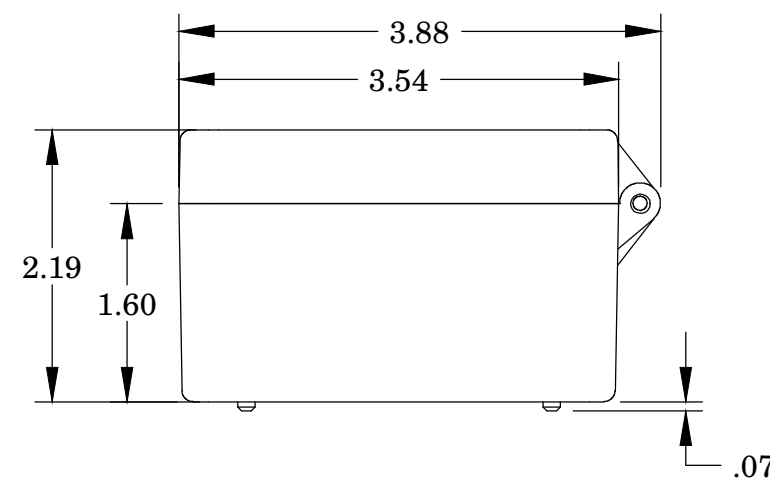
M4x.7 TAPPED HOLE
.40 DEEP IN BODY
(4) PLACES FOR WALL
MOUNT BRACKETS



VIEW LESS COVER

RECESS AREA
.04 DEEP

REFERENCE SHOWN WITH MOUNTING BRACKETS
ASSEMBLED (SHIPPED UNASSEMBLED AND
SUPPLIED WITH M4x.7 x .33" LG. PAN HD. SCREWS)



MATERIAL: ALUMINUM ADC-12
FINISH: SMOOTH BLACK POWDER COAT

PARIS LIST		BUD INDUSTRIES INC.	
+/- .005 BETWEEN HOLE CENTERS +/- .015 FROM SHEARED EDGE +/- .032 FROM A BENT SURFACE +/- .062 BETWEEN ASSEMBLED SURFACES UNLESS OTHERWISE SPECIFIED		CAD GENERATED DRAWING, DO NOT MANUALLY UPDATE	
MATERIAL: AS NOTED		APPROVALS	DATE
FINISH: AS NOTED		DRAWN: DP	5/31/05
QTY. USED ON		CHECKED	
DO NOT SCALE DRAWING		APPROVED	
		SIZE: C	DWG. NO. AN-2901
		SCALE	CAD FILE
		SUBSET 1 OF 1	