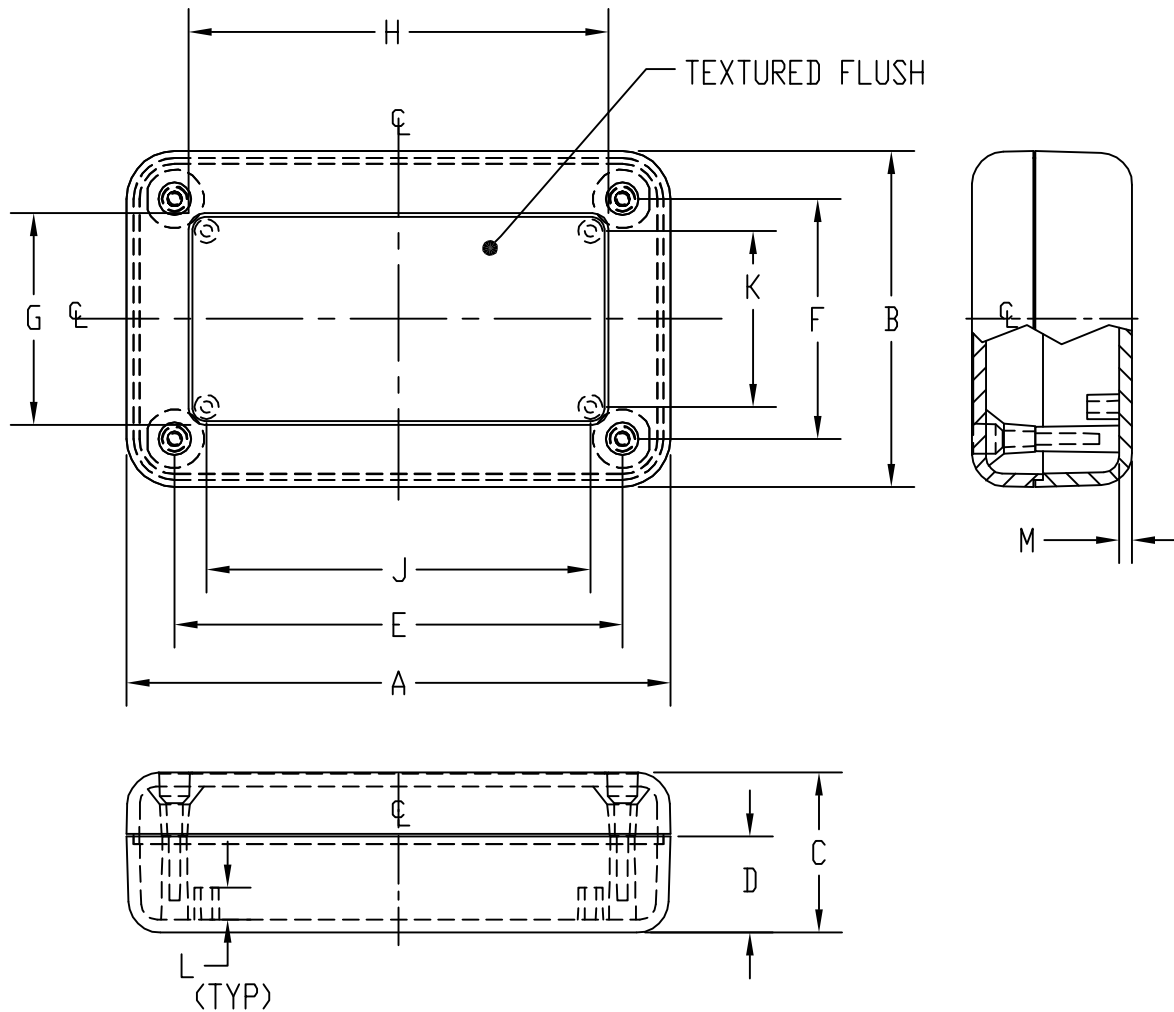


PART
NAME

PLASTIBOX (STYLE H)

PART
No.

PT-11630 TO PT-11668



MATERIAL: ABS THERMOPLASTIC (UL94-5VA RATED)

FINISH: BODY & COVER TEXTURED (OUTSIDE SURFACE)

COLOR: BLACK

FOUR(4) #4 X 0.50 LG SCREWS USED FOR ASSEMBLY (INCLUDED)

MOUNTING BOSSES ARE $\phi 0.188$ AND WILL ACCEPT
#4 X 0.25 LG SHEET METAL SCREWS (NOT INCLUDED).

NOTE: ALL DIMENSIONS HAVE ± 0.010 TOLERANCE
UNLESS OTHERWISE SPECIFIED.

PART NO.	A	B	C	D	E	F	G	H	J	K	L	M
PT-11630	4.000	2.062	1.140	0.754	3.375	1.414	1.188	3.156	2.938	0.971	0.250	0.100
PT-11642	4.250	2.625	1.250	0.754	3.500	1.875	1.655	3.280	3.000	1.375	0.250	0.100
PT-11653	5.625	3.250	1.140	0.754	4.875	2.500	2.280	4.655	4.375	2.000	0.250	0.100
PT-11657	5.625	3.250	1.372	0.754	4.875	2.500	2.280	4.655	4.375	2.000	0.250	0.100
PT-11664	6.016	4.010	1.140	0.754	5.265	3.260	3.040	5.040	4.760	2.755	0.250	0.100
PT-11668	6.016	4.010	1.500	0.754	5.265	3.260	3.040	5.040	4.760	2.755	0.250	0.100