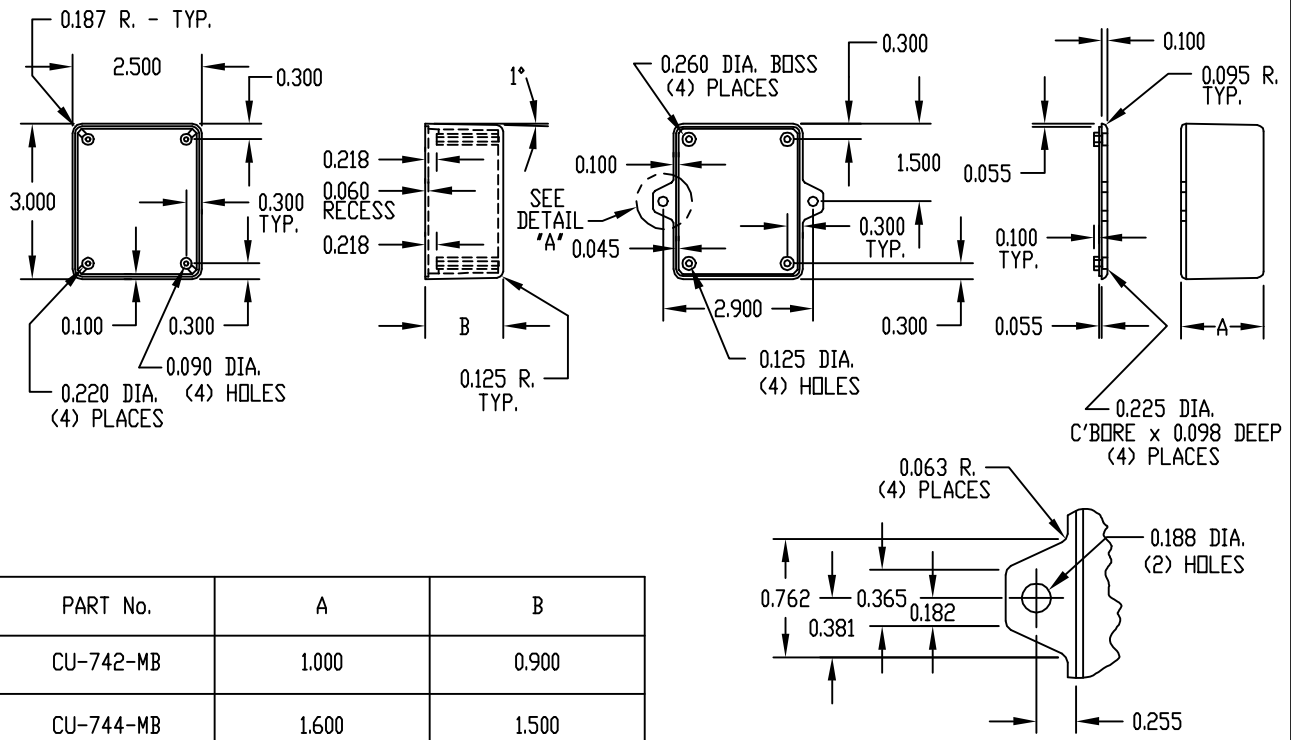


PART NAME	UTILIBOX (STYLE D)	PART No.	CU-742-MB & CU-744-MB
------------------	--------------------	-----------------	-----------------------

MATERIAL: HIGH-IMPACT POLYSTYRENE
COLOR: BLACK
FINISH: SMOOTH, MATTE

FOUR (4) #4 x 0.562" LG. SCREWS
 SUPPLIED FOR ASSEMBLY.

NOTE: ALL DIMENSIONS HAVE ±0.010 TOLERANCE
 UNLESS OTHERWISE SPECIFIED.



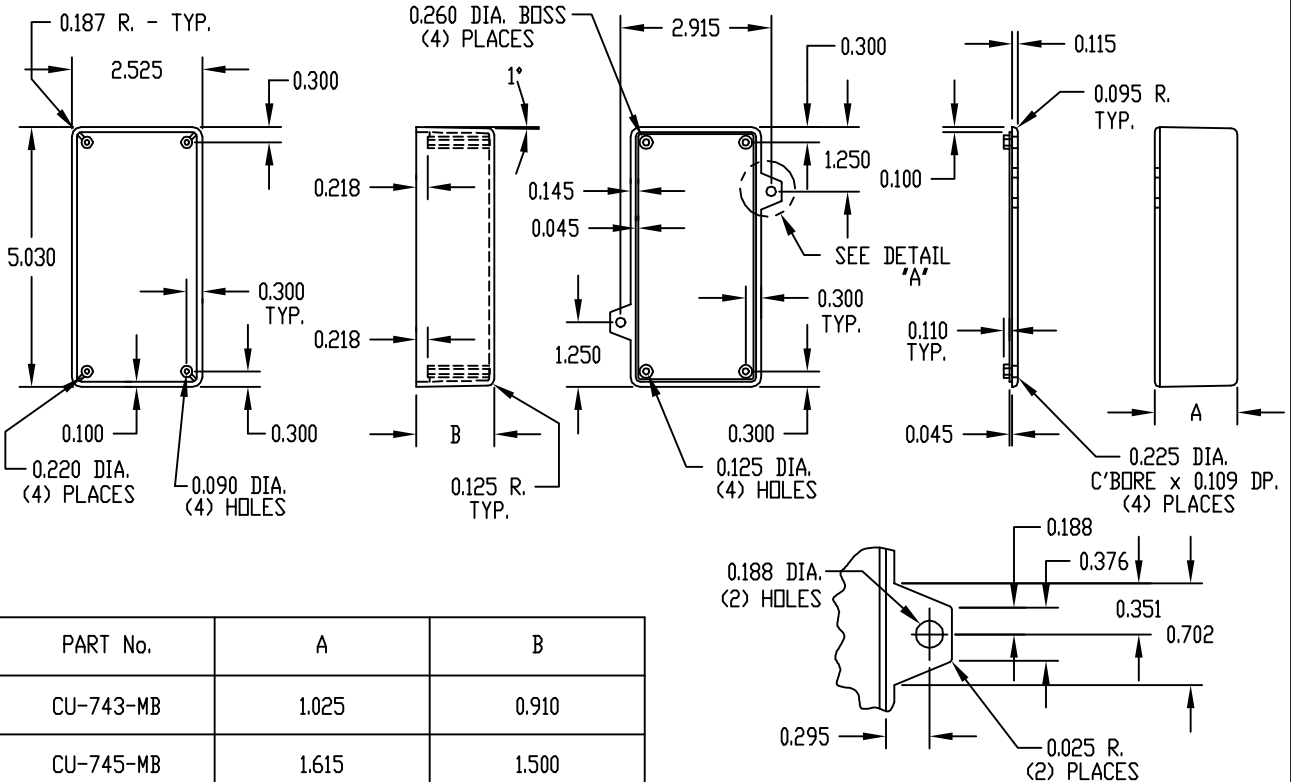
PART No.	A	B
CU-742-MB	1.000	0.900
CU-744-MB	1.600	1.500

PART NAME	UTILIBOX (STYLE D)	PART No.	CU-743-MB & CU-745-MB
------------------	--------------------	-----------------	-----------------------

MATERIAL: HIGH-IMPACT POLYSTYRENE
COLOR: BLACK
FINISH: SMOOTH, MATTE

FOUR (4) #4 x 0.562" LG. SCREWS
 SUPPLIED FOR ASSEMBLY.

NOTE: ALL DIMENSIONS HAVE ±0.010 TOLERANCE
 UNLESS OTHERWISE SPECIFIED.



PART No.	A	B
CU-743-MB	1.025	0.910
CU-745-MB	1.615	1.500