

PART NAME

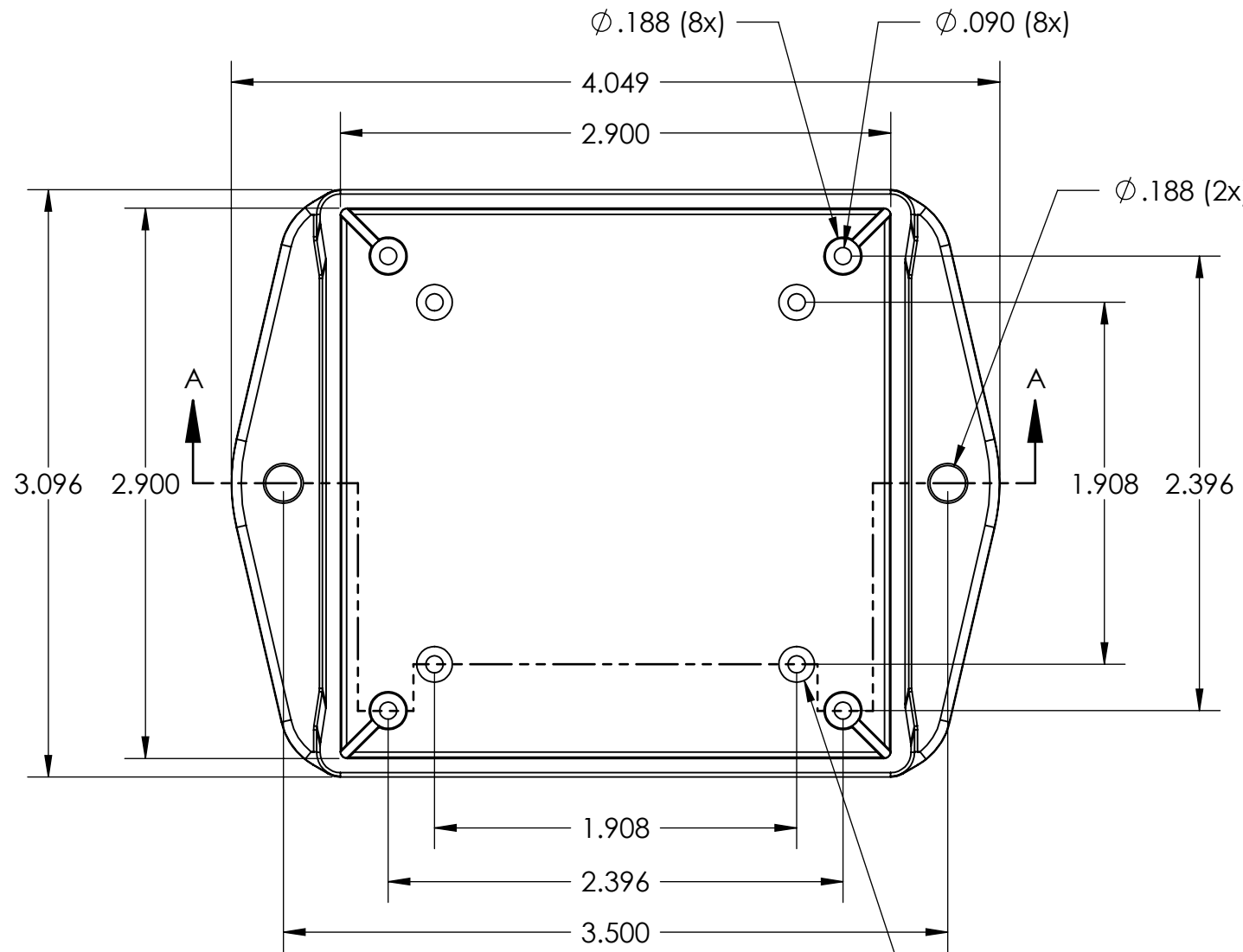
UTILIBOX (STYLE L)

PART No.

CU-1935-MB

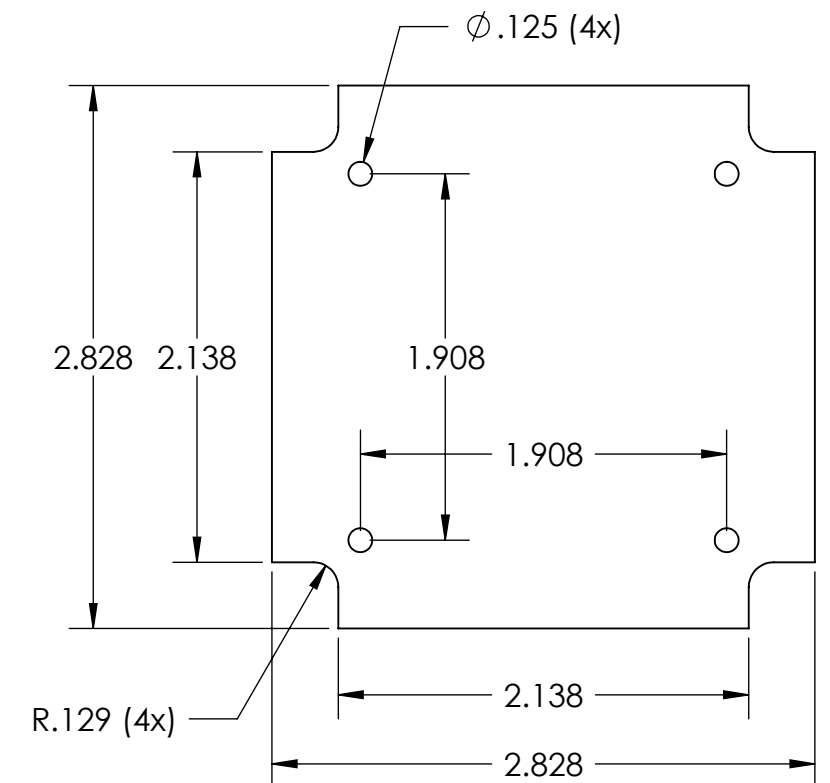
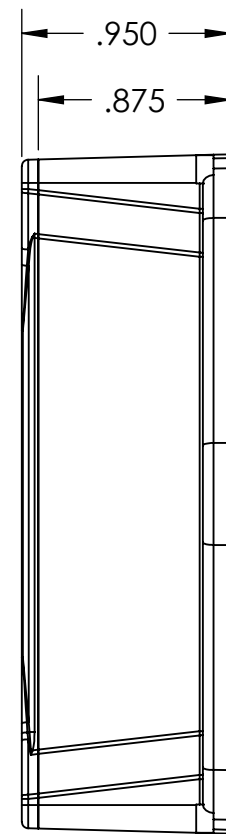
REVISION DATE

2-24-11

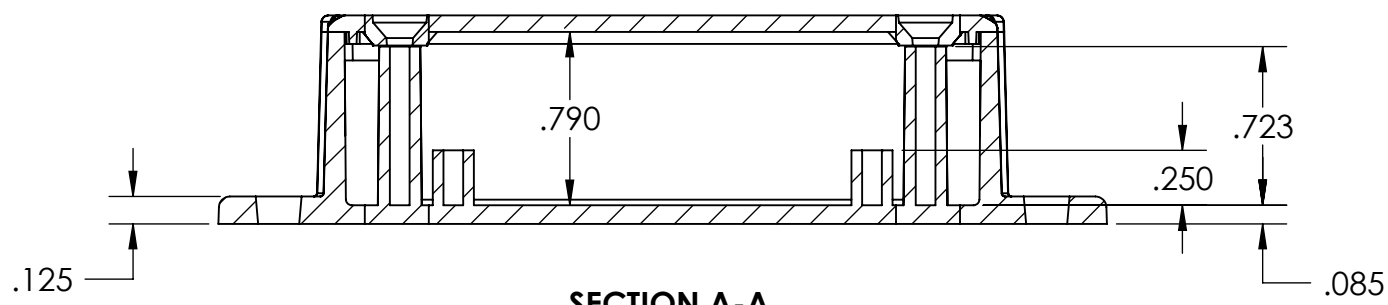


**COVER NOT SHOWN
THIS VIEW ONLY**

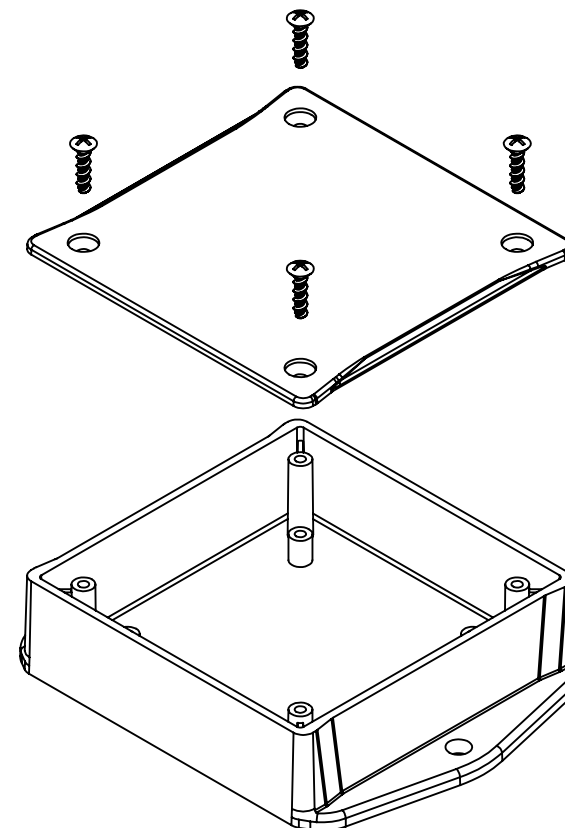
PC BOARD MOUNTING BOSSES
ACCEPT #4 x 1/4" LG
THREAD FORMING SCREWS
(NOT SUPPLIED)



**SUGGESTED PC BOARD
LAYOUT**



SECTION A-A



MATERIAL: ABS UL94V-0, BLACK

NOTES:

- 1.) FOUR (4) #4-24 x 1/2" LG. THREAD FORMING SCREWS SUPPLIED FOR ASSEMBLY OF COVER TO BODY.
- 2.) ALL DIMENSIONS HAVE $\pm .015$ TOLERANCE
- 3.) ALL OUTSIDE AND INSIDE DRAFT ANGLE: $.5^\circ \pm .5^\circ$