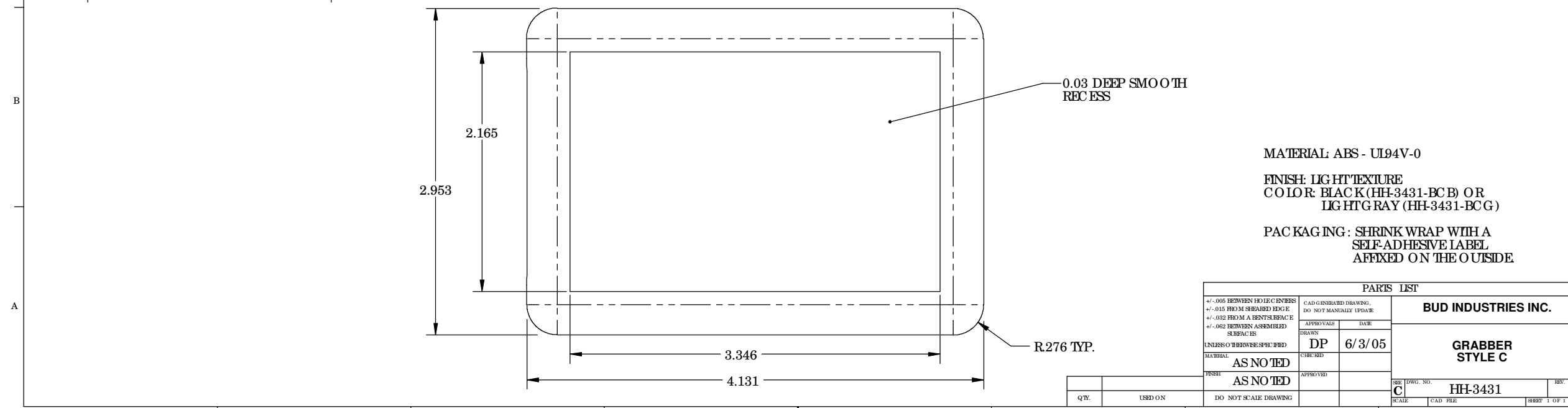
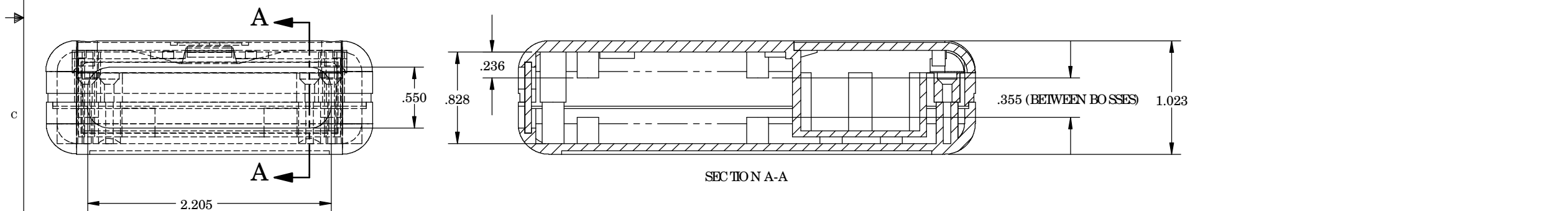
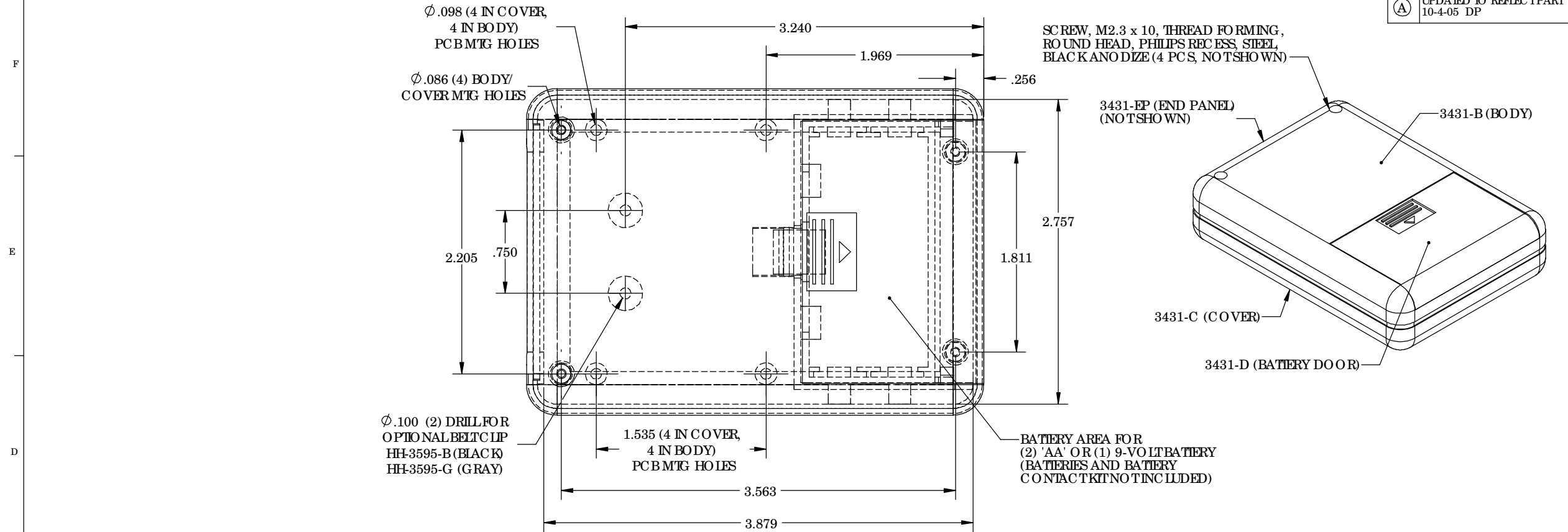


THE INFORMATION CONTAINED IN THIS DRAWING IS THE SOLE PROPERTY OF BUD INDUSTRIES INC. ANY REPRODUCTION IN PART OR WHOLE WITHOUT THE WRITTEN PERMISSION OF BUD INDUSTRIES INC. IS PROHIBITED.

DWG. NO.	HH-3431
ISSUE	REVISIONS
(A)	UPDATED TO REFLECT PART 10-4-05 DP



PARTS LIST			
QTY.	USED ON	SCALE	CAD FILE
+/- .005 BETWEEN HOLE CENTERS +/- .015 FROM SHEARED EDGE +/- .032 FROM A BENT SURFACE +/- .062 BETWEEN ASSEMBLED SURFACES UNLESS OTHERWISE SPECIFIED		CAD GENERATED DRAWING, DO NOT MANUALLY UPDATE	BUD INDUSTRIES INC.
MATERIAL: AS NOTED		APPROVALS: DRAWN: DP, DATE: 6/3/05	GRABBER STYLE C
FINISH: AS NOTED		CHECKED:	SER. DWG. NO. HH-3431
DO NOT SCALE DRAWING		APPROVED:	SHEET 1 OF 1