

PART
NAME

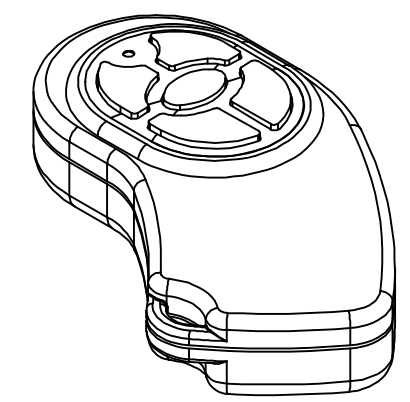
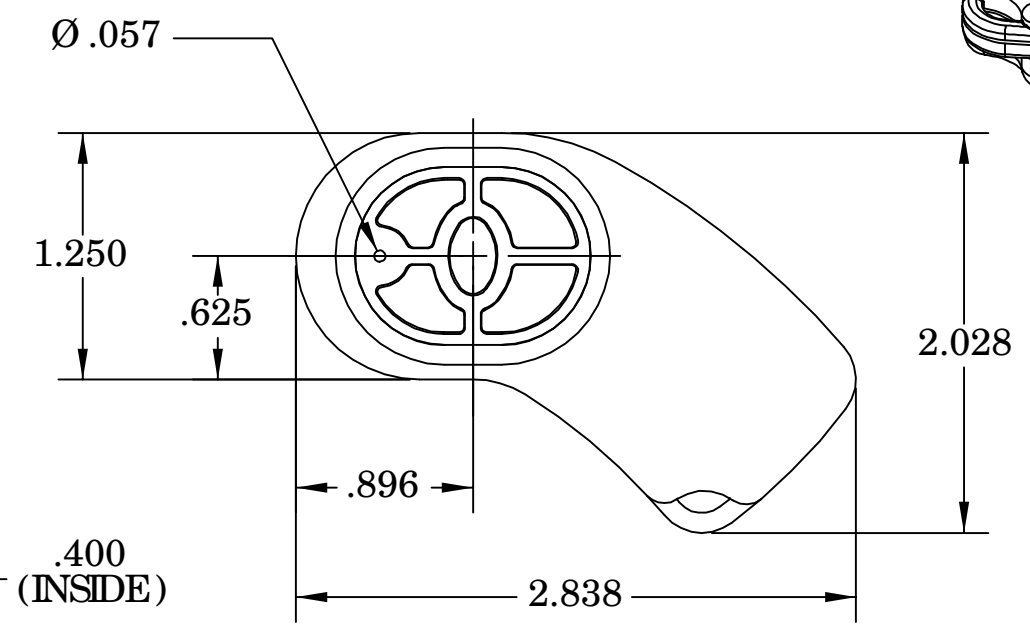
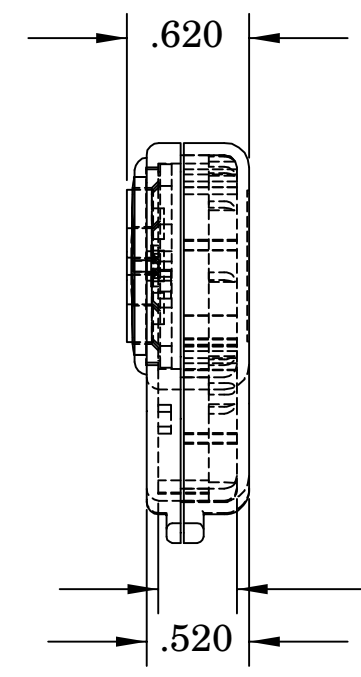
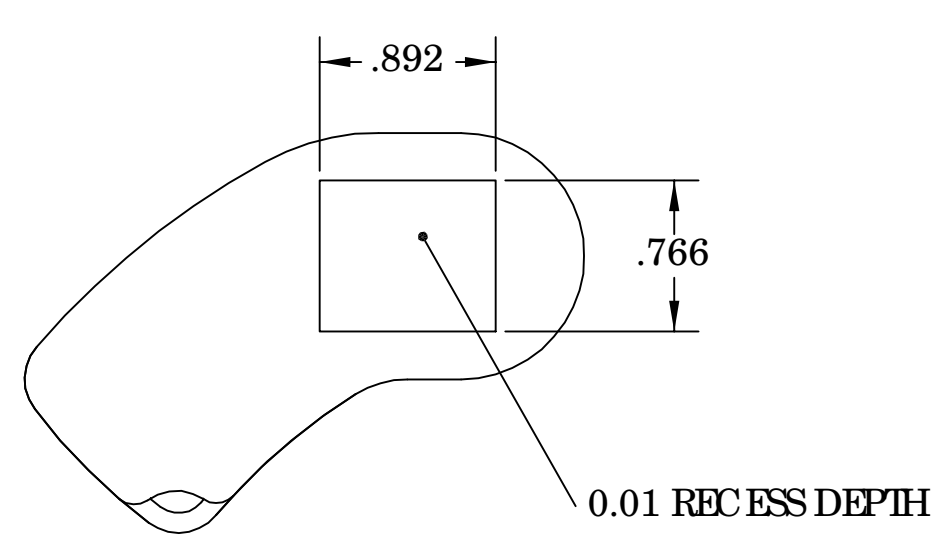
5 BUTTON GRABBER

PART
No.

HH - 3505

PART
No.

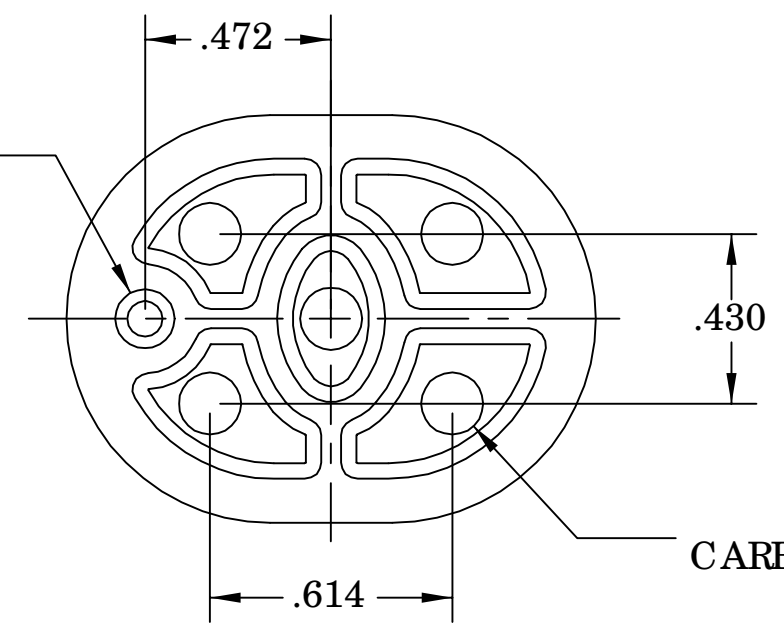
10-29-08



NOTES:

1. ALL DIMENSIONS ARE IN INCHES
2. MATERIAL: BODY & COVER - ABS (UL94-HB)
BUTTON - SILICONE RUBBER
3. FINISH: BODY & COVER - TEXTURED
BUTTON - SMOOTH
4. COLOR: BODY & COVER - BLACK
BUTTON - GRAY
5. PCB IS NOT INCLUDED. TO BE SUPPLIED BY CUSTOMER
6. SUGGESTED BATTERY TYPE: 20 MM COIN CELL TYPE

TRANSPARENT LED.
OPTIC
Ø .150 ∇ .075



Ø .157
CARBON ELECTRICAL CONTACT

BUTTON CONTACTS (2 : 1)