

# PS2933-1

# Data Sheet

HIGH COLLECTOR TO EMITTER VOLTAGE  
 4-PIN ULTRA SMALL FLAT-LEAD  
 PHOTOCOUPLER

R08DS0115EJ0100  
 Rev.1.00  
 Nov 29, 2013

## DESCRIPTION

The PS2933-1 is an optically coupled isolator containing a GaAs light emitting diode and an NPN silicon phototransistor in one package for high density mounting applications.

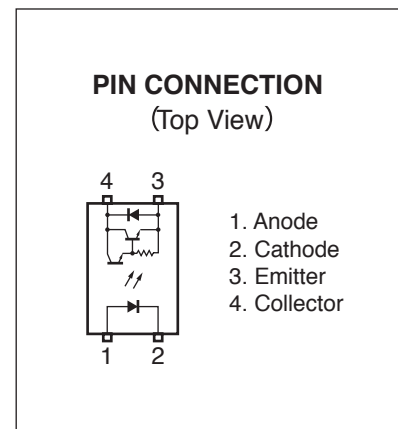
An ultra small flat-lead package has been provided which realizes a reduction in mounting area of about 30% compared with the PS28xx series.

## FEATURES

- Ultra small flat-lead package (4.6 (L) × 2.5 (W) × 2.1 (H) mm)
- High collector to emitter voltage ( $V_{CEO} = 350\text{ V}$ )
- High isolation voltage ( $BV = 2\ 500\text{ V}_{r.m.s.}$ )
- Ordering number of taping product: PS2933-1-F3: 3 500 pcs/reel
- <R> • Safety standards
  - UL approved: No. E72422
  - BSI approved (BS EN 60065, BS EN 60950)
  - DIN EN 60747-5-5 (VDE 0884-5) approved (Option)

## APPLICATIONS

- Hybrid IC
- Telephone, Exchange equipment, FAX



The mark <R> shows major revised points.

The revised points can be easily searched by copying an "<R>" in the PDF file and specifying it in the "Find what:" field.