

8830 A

AC axial compact fan



ebm-papst St. Georgen GmbH & Co. KG

Hermann-Papst-Straße 1

D-78112 St. Georgen

Phone +49 7724 81-0

Fax +49 7724 81-1309

info2@de.ebmpapst.com

www.ebmpapst.com

Nominal data

| Type | 8830 A | |
|--------------------------|-------------------|------|
| Phase | | 1~ |
| Nominal voltage | VAC | 115 |
| Frequency | Hz | 60 |
| Speed | min ⁻¹ | 1950 |
| Power input | W | 8.0 |
| Min. ambient temperature | °C | -10 |
| Max. ambient temperature | °C | 80 |
| Air flow | m ³ /h | 34 |
| Sound power level | B | 4.3 |
| Sound pressure level | dB(A) | 29 |

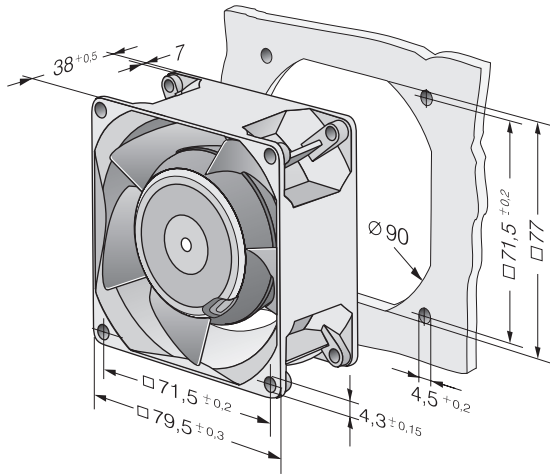
ml = max. load · me = max. efficiency · fa = running at free air · cs = customer specs · cu = customer unit
Subject to alterations



Technical features

| | |
|--|---|
| General description | <p>AC voltage fan with external rotor motor shaded-pole motor. Protected from overload by impedance protection.</p> <p>Fan housing and fan impeller made of metal.</p> <p>Inlet over bars. Rotational direction clockwise looking at rotor.</p> <p>Electrical connection to 2 flat plugs 2.8 x 0.5 mm.</p> <p>Fan housing with grounding lug and tapping screw M4 x 8 (TORX).</p> <p>Dimensions 490 g.</p> <p>Optionally available with electrical connection to single strands.</p> <p>Optionally available with air exhaust over bars, deliverable with clockwise direction of rotation.</p> <p>Please note our new ACmaxx series. With identical fastening dimensions and voltages, this series achieves higher energy efficiency.</p> |
| Mass | 0.490 kg |
| Dimensions | 80 x 80 x 38 mm |
| Material of impeller | Metal |
| Housing material | Metal |
| Direction of air flow | Inlet over bars |
| Direction of rotation | Right, looking at rotor |
| Bearing | Sintec sleeve bearing system |
| Lifetime L10 at 40 °C | 62500 h |
| Lifetime L10 at maximum temperature | 25000 h |
| Connection line | 2 flat plugs 2.8 x 0.5 mm |
| Motor protection | Protected from overload using impedance protection |
| Approval | VDE, CSA, UL, CE |

Product drawing



Charts: Air flow

