

8850 N

AC axial compact fan



ebm-papst St. Georgen GmbH & Co. KG

Hermann-Papst-Str. 1
D-78112 St. Georgen
Phone +49 (0) 7724 81-0
Fax +49 (0) 7724 81-1309
info2@de.ebmpapst.com
www.ebmpapst.com

Nominal data

| Type | 8850 N | |
|--------------------------|-------------------|------|
| Phase | | 1~ |
| Nominal voltage | VAC | 230 |
| Frequency | Hz | 50 |
| Speed | min ⁻¹ | 2150 |
| Power input | W | 12.5 |
| Min. ambient temperature | °C | -10 |
| Max. ambient temperature | °C | 70 |
| Air flow | m ³ /h | 37 |
| Sound power level | B | 3.9 |
| Sound pressure level | dB(A) | 24 |

ml = Max. load · me = Max. efficiency · fa = Running at free air · cs = Customer specs · cu = Customer unit
Subject to alterations

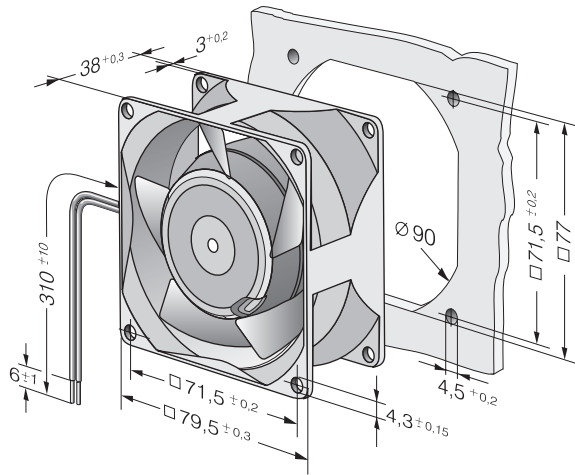


Technical features

| | |
|--|--|
| Mass | 0.490 kg |
| Dimensions | 80 x 80 x 38 mm |
| Material of impeller | Metal |
| Housing material | Metal |
| Direction of air flow | Air exhaust over bars |
| Direction of rotation | Right, looking at rotor |
| Bearing | Sintec sleeve bearing system |
| Lifetime L10 at 40 °C | 52500 h |
| Lifetime L10 at maximum temperature | 25000 h |
| Connection line | 2 single strands AWG 18, TR 64 |
| Motor protection | Protected from overload using impedance protection |
| Approval | VDE, CSA, UL, CE |



Product drawing



Charts: Air flow

