

ebm-papst Mulfingen GmbH & Co. KG

Bachmühle 2

D-74673 Mulfingen

Phone: +49(0)7938/81-0

Fax: +49(0)7938/81-110

info1@de.ebmpapst.com

www.ebmpapst.com

Nominal data

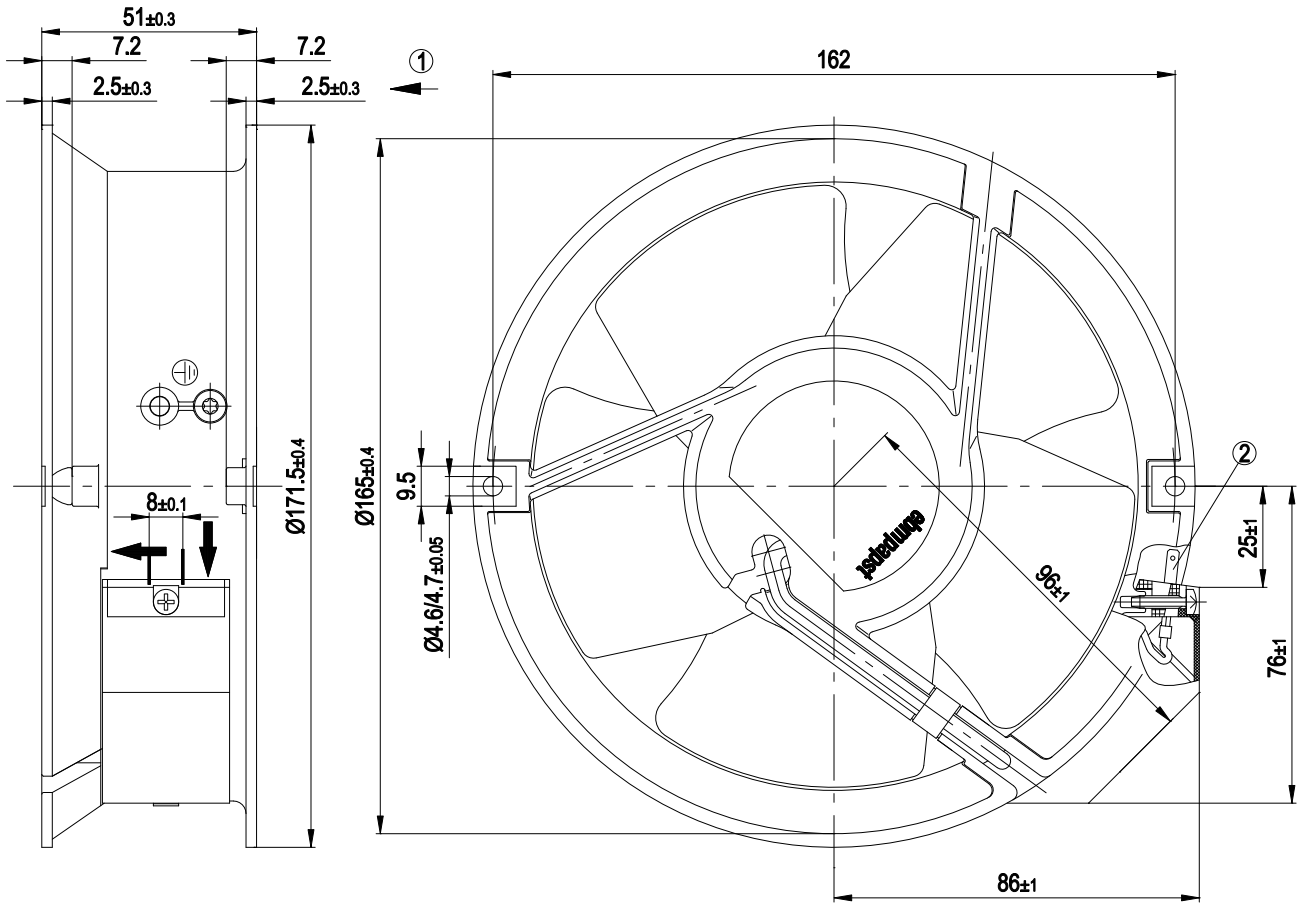
Type	W2E143-AB09-01		
Motor	M2E052-BF		
Phase		1~	1~
Nominal voltage	[V]	230	230
Frequency	[Hz]	50	60
Type of data definition		rfa	rfa
Valid for approval / standard		CE	UL
Speed	[min ⁻¹]	2800	3300
Power input	[W]	24	30
Current draw	[A]	0.12	
Motor capacitor	[µF]	0.75	0.75
Capacitor voltage	[VDB]	400	400
Capacitor standard		P0 (CE)	P0 (CE)
Max. ambient temperature	[°C]	60	75

ml = max. load · me = max. efficiency · rfa = running at free air · cs = customer specs · cu = customer unit
Subject to alterations

Technical features

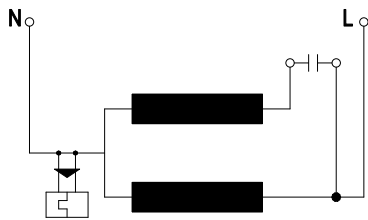
Leakage current	< 0.75 mA
Size	143 mm
Operation mode	S1
Direction of rotation	Counter-clockwise, seen on rotor
Mounting position	Any
Electrical leads	With plug
Direction of air flow	"V"
Insulation class	"B"
Condensate discharge holes	None, open rotor
Bearing motor	Ball bearing
Mass	0.91 kg
Material of blades	Sheet steel, coated in black
Material of wall ring	Die-cast aluminium, coated in black
Motor protection	Thermal overload protector (TOP) wired internally
Product conforming to standard	CE; EN 60335-1
Surface of rotor	Rotor open, coated in black
Number of blades	5
Type of protection	IP 20
Protection class	I (if earth wire is connected by customer)
Max. permissible ambient motor temp. (transp./ storage)	+ 80 °C
Min. permissible ambient motor temp. (transp./storage)	- 40 °C
Approval	CCC; CSA C22.2 Nr.113; GOST; UL 507; VDE

Product drawing

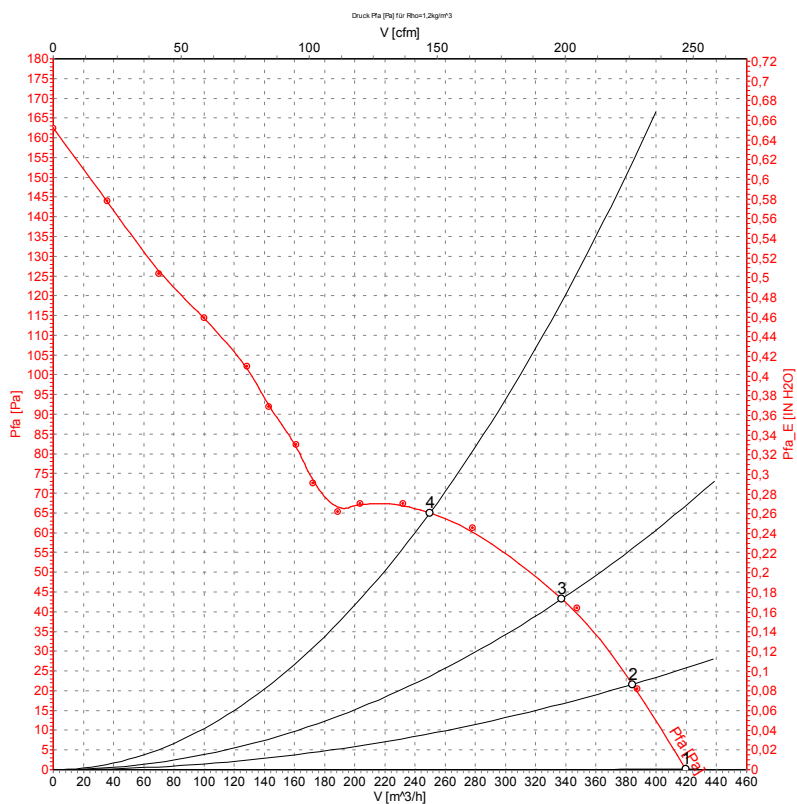


1	Direction of air flow "V"
2	Blade terminal 2.8 x 0.5 mm

Connection screen



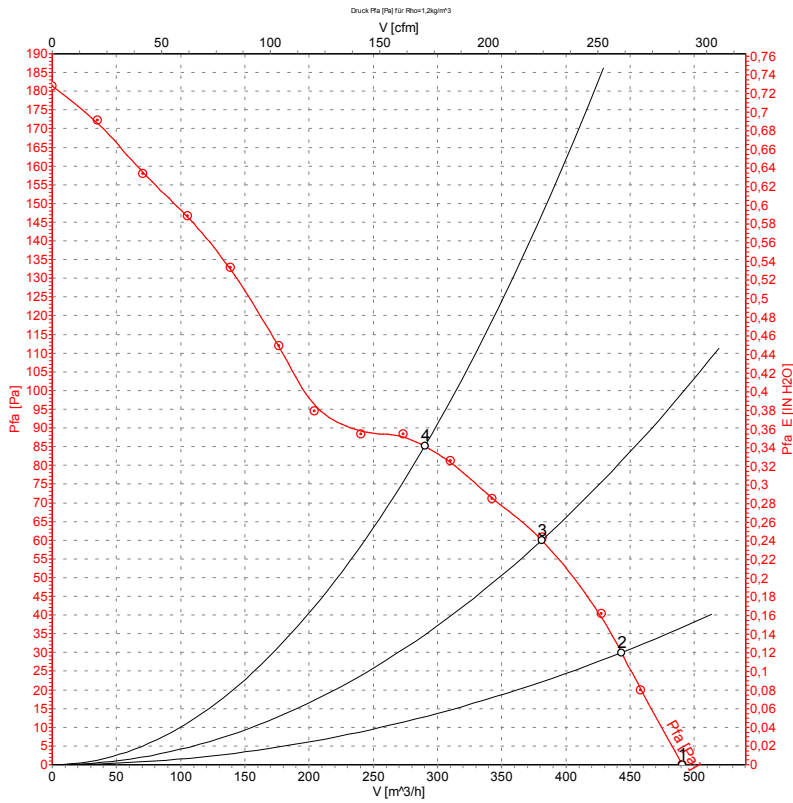
Charts: Air flow 50 Hz



Measured values

	U	f	n	P ₁	I	\hat{V}	P _{fa}
	[V]	[Hz]	[min ⁻¹]	[W]	[A]	[m³/h]	[Pa]
1	230	50	2800	24	0.12	420	0
2	230	50	2775	27	0.13	385	22
3	230	50	2760	27	0.13	335	44
4	230	50	2745	28	0.13	250	65

Charts: Air flow 60 Hz



Measured values

	U	f	n	P ₁	I	\hat{V}	P _{fa}
	[V]	[Hz]	[min ⁻¹]	[W]	[A]	[m ³ /h]	[Pa]
1	230	60	3300	30	0.13	490	0
2	230	60	3210	31	0.14	445	30
3	230	60	3175	32	0.14	380	60
4	230	60	3140	33	0.14	290	85