

ebm-papst Mulfingen GmbH & Co. KG

Bachmühle 2

D-74673 Mulfingen

Phone +49 7938 81-0

Fax +49 7938 81-110

info1@de.ebmpapst.com

www.ebmpapst.com

Nominal data

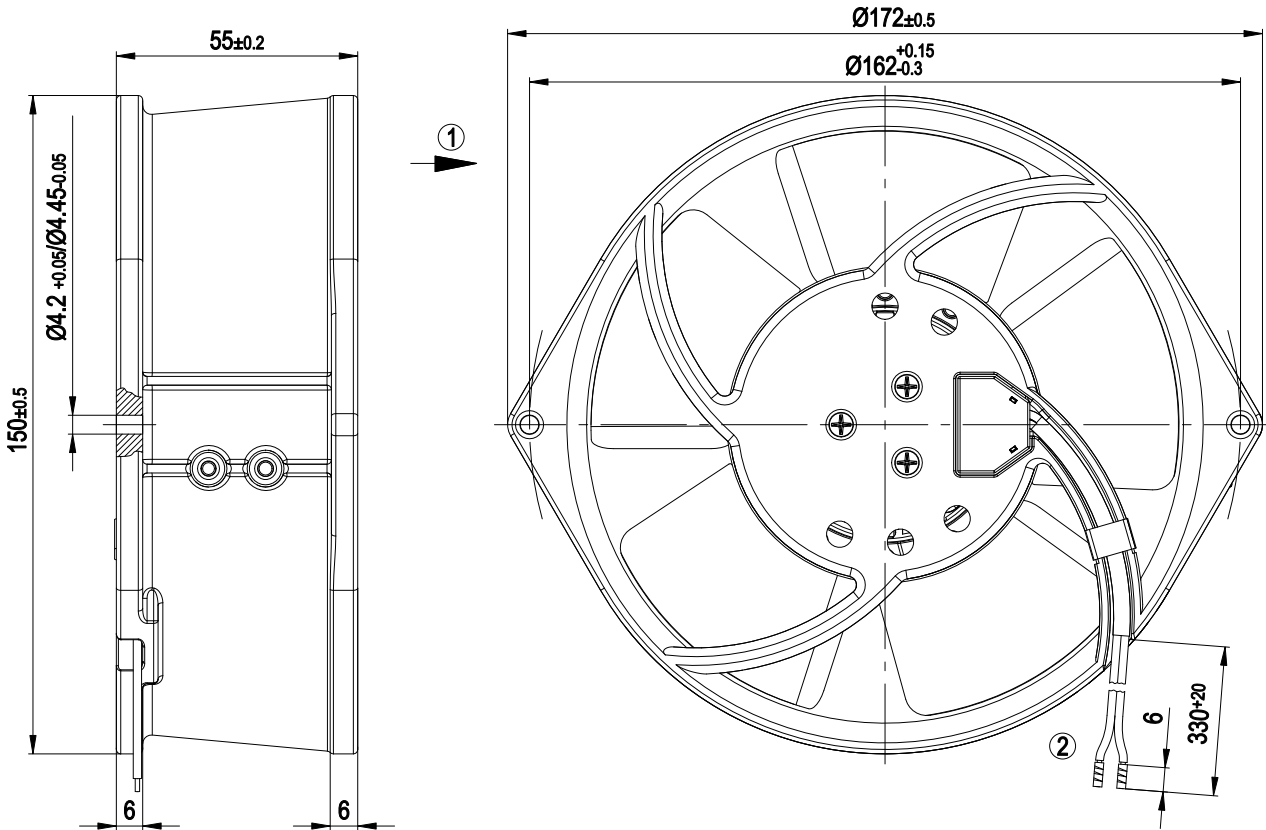
Type	W2S130-BM15-01		
Motor	M2S052-CA		
Phase		1~	1~
Nominal voltage	VAC	115	115
Frequency	Hz	50	60
Type of data definition		rfa	rfa
Valid for approval / standard		CE	CE
Speed	min ⁻¹	2700	3050
Power input	W	47	46
Current draw	A	0.63	0.55
Max. ambient temperature	°C	50	70

ml = max. load · me = max. efficiency · rfa = running at free air · cs = customer specs · cu = customer unit
Subject to alterations

Technical features

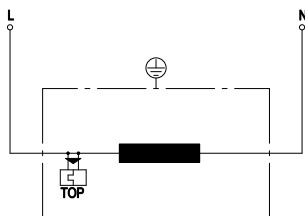
Leakage current	< 0.75 mA
Size	130 mm
Operation mode	S1
Direction of rotation	Counter-clockwise, seen on rotor
Mounting position	Any
Direction of air flow	"A"
Insulation class	"B"
Condensate discharge holes	None, open rotor
Motor bearing	Ball bearing
Mass	1.1 kg
Housing material	Die-cast aluminum, coated in black
Material of blades	Sheet steel, coated in black
Motor protection	Thermal overload protector (TOP) wired internally
Product conforming to standard	CE; EN 60335-1
Surface of rotor	Coated in black
Number of blades	5
Type of protection	IP 20
Protection class	I
Max. permissible ambient motor temp. (transp./ storage)	+ 80 °C
Min. permissible ambient motor temp. (transp./storage)	- 40 °C
Approval	CCC; CSA C22.2 Nr.113; GOST; UL 507; VDE

Product drawing



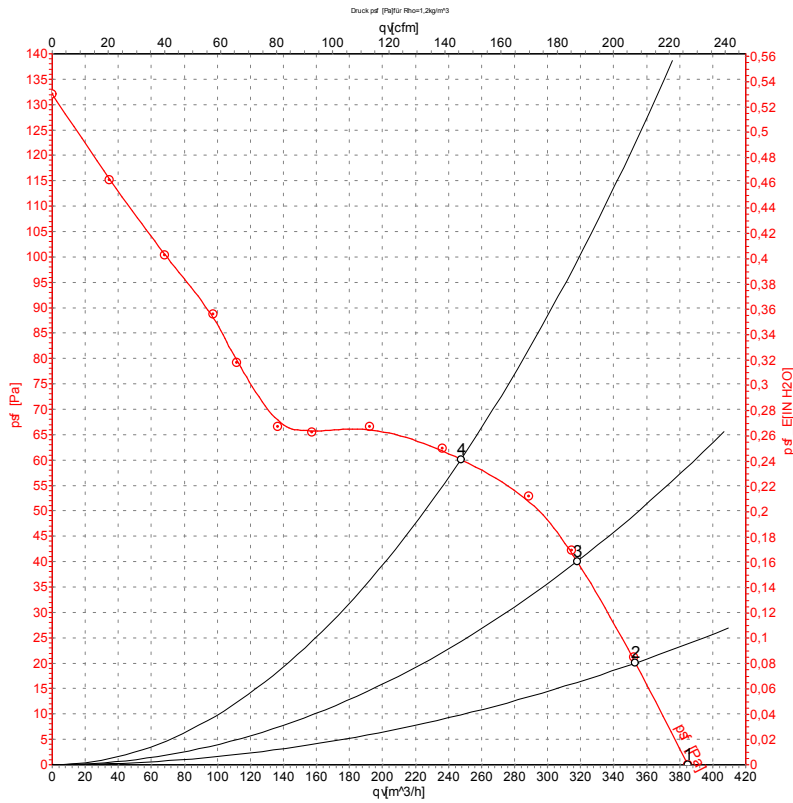
1	Direction of air flow "A"
2	Connection line AWG20, 2x brass lead tips crimped

Connection screen



L	= black
N	= black
TOP	= Thermal overload protector

Charts: Air flow 50 Hz



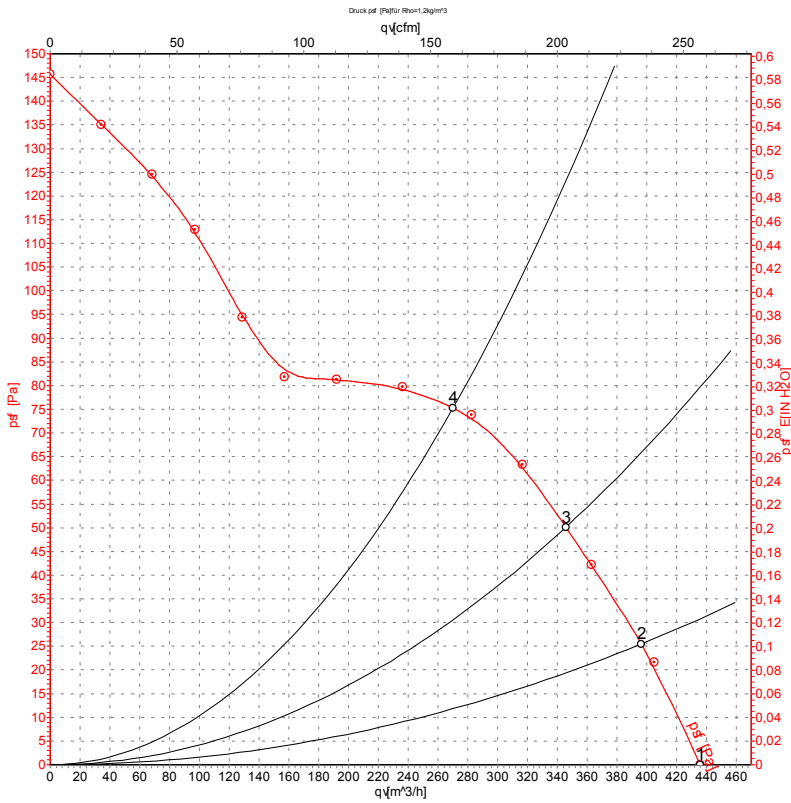
Measurement: LU-57289

Air performance measured as per ISO 5801 Installation Category A. For detailed information on the measuring set-up, please contact ebm-papst. Suction-side noise levels: LwA measured as per ISO 13347 / LpA measured with 1m distance to fan axis. The values given are valid under the measuring conditions mentioned above and may vary according to the actual installation situation. With any deviation from the standard set-up, the specific values have to be checked and reviewed with the unit installed.

Measured values

	U	f	n	P _e	I	qv	p _{sf}
	V	Hz	min ⁻¹	W	A	m ³ /h	Pa
1	115	50	2765	47	0.63	385	0
2	115	50	2755	47	0.63	355	20
3	115	50	2740	48	0.63	320	40
4	115	50	2730	48	0.63	245	60

Charts: Air flow 60 Hz



Measurement: LU-57288

Air performance measured as per ISO 5801 Installation Category A. For detailed information on the measuring set-up, please contact ebm-papst. Suction-side noise levels: LwA measured as per ISO 13347 / LpA measured with 1m distance to fan axis. The values given are valid under the measuring conditions mentioned above and may vary according to the actual installation situation. With any deviation from the standard set-up, the specific values have to be checked and reviewed with the unit installed.

Measured values

	U	f	n	P _e	I	q _v	p _{sf}
	V	Hz	min ⁻¹	W	A	m ³ /h	Pa
1	115	60	3110	46	0.55	435	0
2	115	60	3065	49	0.56	395	26
3	115	60	3005	50	0.58	345	50
4	115	60	2990	51	0.58	270	75