

# AC centrifugal fan

forward curved, dual inlet  
with housing (without flange)

## ebm-papst Mulfingen GmbH & Co. KG

Bachmühle 2  
74673 Mulfingen  
Phone: +49 7938 81-0  
Fax: +49 7938 81-110  
www.ebmpapst.com  
info1@de.ebmpapst.com

### Nominal data

Type	D2E133-AM47-01			
Motor	M2E068-DF			
Phase		1~	1~	1~
Nominal voltage	[V]	230	230	230
Frequency	[Hz]	50	60	60
Type of data definition		rfa	ml	ml
Valid for approval / standard		CE	CE	UL 2111
Speed	[min <sup>-1</sup> ]	1500	1800	1800
Power input	[W]	190	200	210
Current draw	[A]	0.84	0.88	0.92
Motor capacitor	[µF]	3	3	3
Capacitor voltage	[VDB]	450	450	450
Capacitor standard				UL
Min. back pressure	[Pa]	0	100	100
Max. ambient temperature	[°C]	35	25	25

ml = max. load · me = max. efficiency · rfa = running at free air · cs = customer specs · cu = customer unit  
Subject to alterations

# AC centrifugal fan

forward curved, dual inlet  
with housing (without flange)

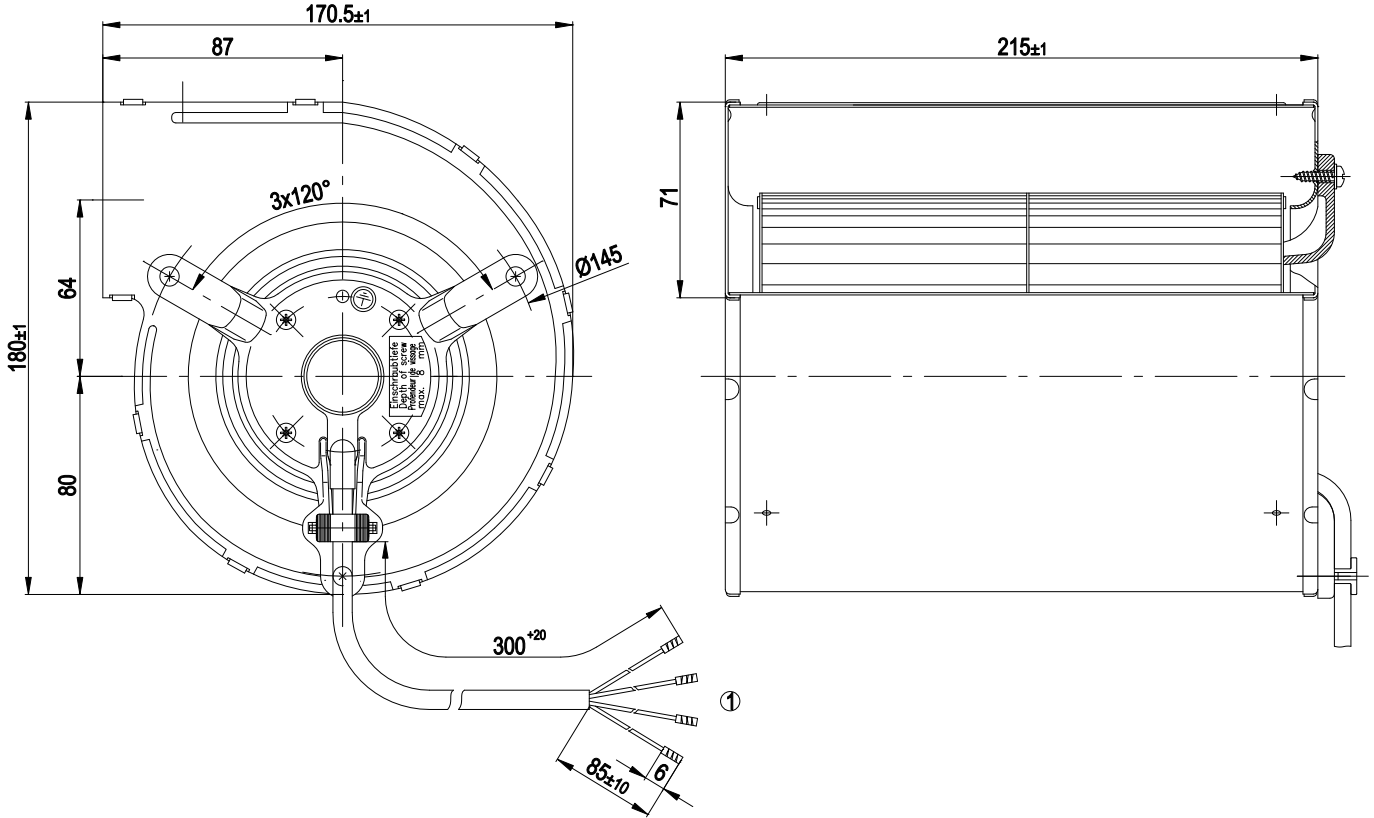
## Technical features

Leakage current	< 0.75 mA
Size	133 mm
Operation mode	S1
Direction of rotation	Clockwise, seen on rotor
Mounting position	Any
Humidity class	F0
Insulation class	"B"
Cable exit	Axial
Condensate discharge holes	None
Bearing motor	Ball bearing
Mass	3.48 kg
Housing material	Sheet steel, hot-galvanised
Material of impeller	Sheet steel, hot-galvanised
Motor suspension	Motor mounted via brackets on one side
Motor protection	Thermal overload protector (TOP) wired internally
Product conforming to standard	CE; EN 60335-1
Surface of rotor	Partially cast in aluminium
Type of protection	IP 44; Depending on installation and position
Protection class	I
Max. permissible ambient motor temp. (transp./ storage)	+ 80 °C
Min. permissible ambient motor temp. (transp./storage)	- 40 °C
Approval	CCC

# AC centrifugal fan

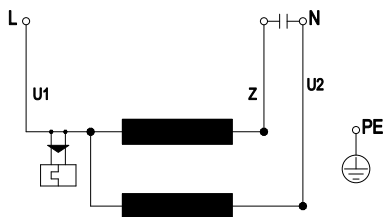
forward curved, dual inlet  
with housing (without flange)

## Product drawing



1 Connection line PVC, 4x brass lead tips crimped

## Connection screen

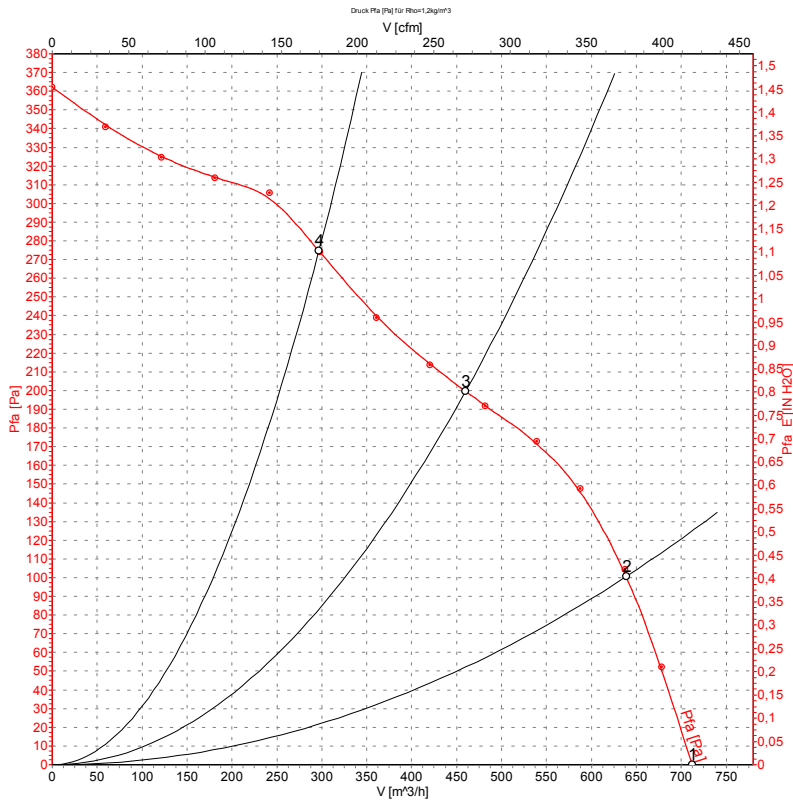


U1	blue	Z	brown	U2	black
PE	green/yellow				

# AC centrifugal fan

forward curved, dual inlet  
with housing (without flange)

## Charts: Air flow 50 Hz



Measurement: LU-105263

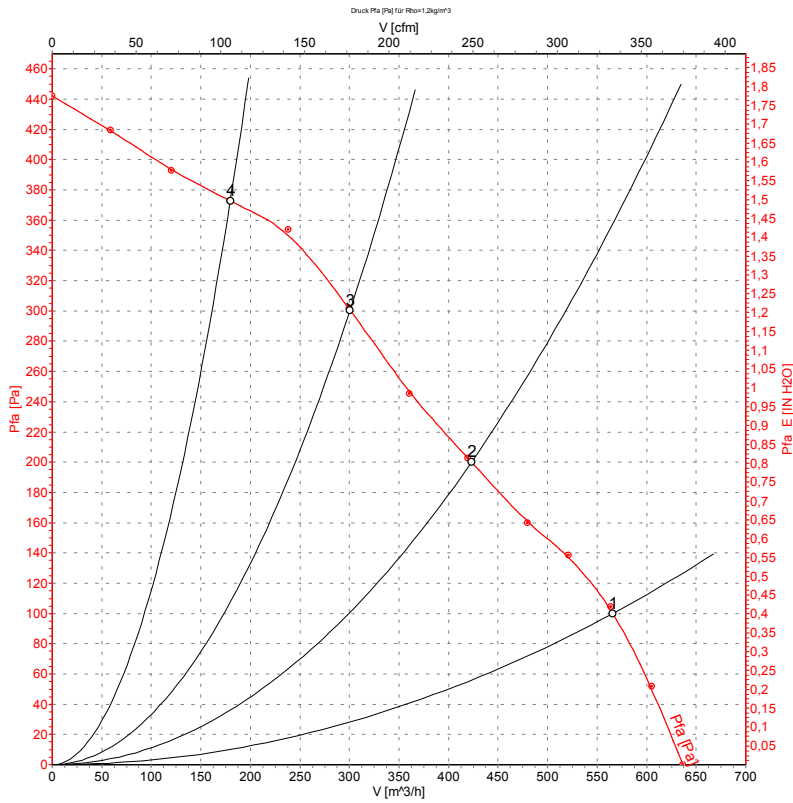
### Measured values

	U	f	n	P <sub>1</sub>	I	Ŷ	P <sub>fa</sub>
	[V]	[Hz]	[min <sup>-1</sup> ]	[W]	[A]	[m <sup>3</sup> /h]	[Pa]
1	230	50	1500	190	0.84	710	0
2	230	50	1890	164	0.72	640	102
3	230	50	2310	141	0.61	460	200
4	230	50	2570	118	0.52	295	275

# AC centrifugal fan

forward curved, dual inlet  
with housing (without flange)

## Charts: Air flow 60 Hz



Measurement: LU-105265

## Measured values

	U	f	n	P <sub>1</sub>	I	Ŷ	P <sub>fa</sub>
	[V]	[Hz]	[min <sup>-1</sup> ]	[W]	[A]	[m <sup>3</sup> /h]	[Pa]
1	230	60	1800	200	0.88	565	100
2	230	60	2310	181	0.78	425	200
3	230	60	2685	170	0.74	300	300
4	230	60	2945	159	0.70	180	375