

RER 160-28/06S

# AC centrifugal compact fan

single inlet



## ebm-papst St. Georgen GmbH & Co. KG

Hermann-Papst-Str. 1

D-78112 St. Georgen

Phone +49 7724 81-0

Fax +49 7724 81-1309

info2@de.ebmpapst.com

www.ebmpapst.com

## Nominal data

Type	RER 160-28/06S	
Phase		1~
Nominal voltage	VAC	115
Frequency	Hz	60
Speed	min <sup>-1</sup>	3250
Power input	W	46.0
Min. ambient temperature	°C	-30
Max. ambient temperature	°C	70
Air flow	m <sup>3</sup> /h	274
Sound power level	B	6.8

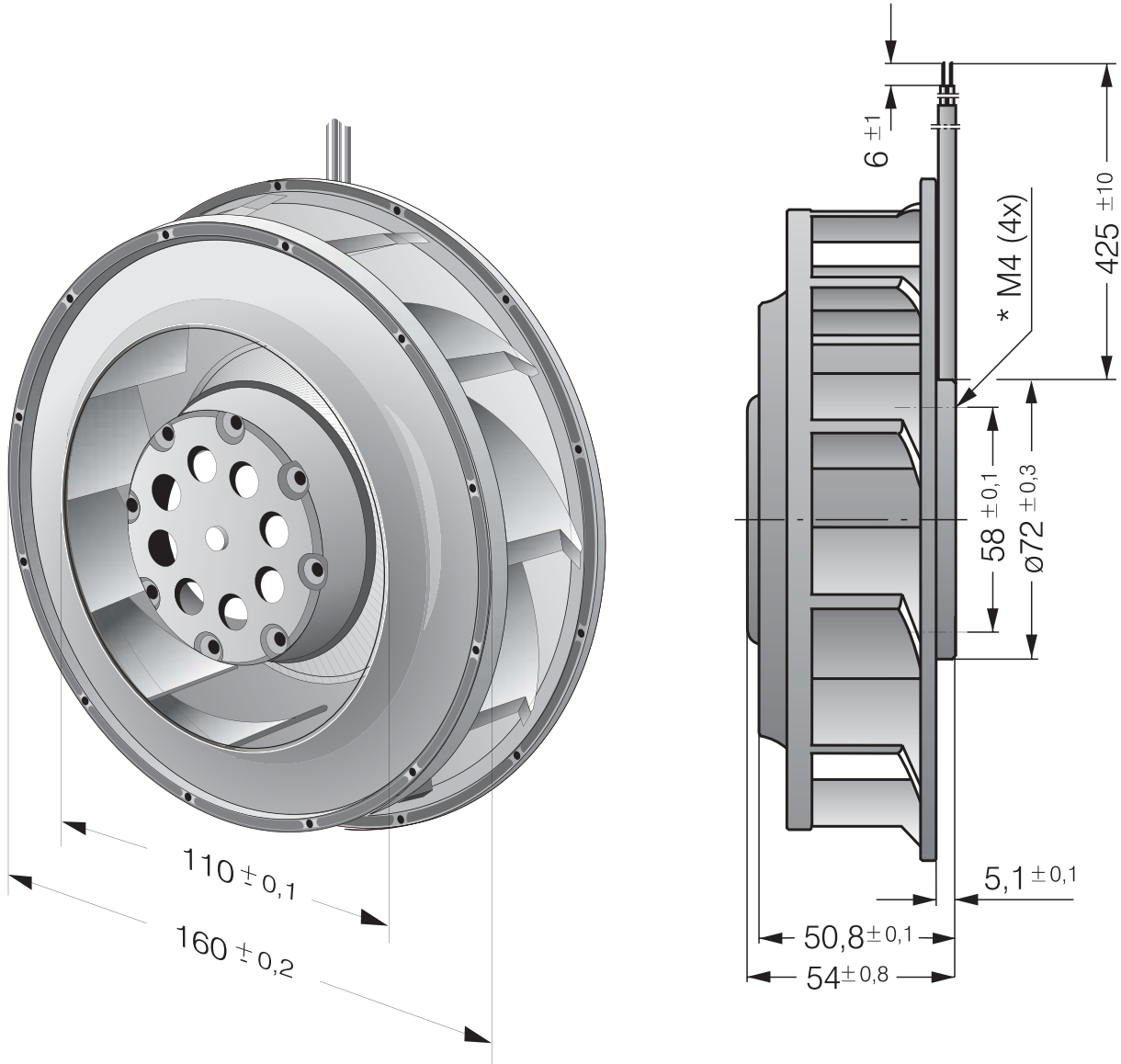
ml = max. load · me = max. efficiency · fa = running at free air · cs = customer specs · cu = customer unit  
Subject to alterations



## Technical features

<b>Mass</b>	1.000 kg
<b>Dimensions</b>	176 Ø x 54 mm
<b>Housing material</b>	Spiral housing of fiberglass-reinforced plastic reinforced with sheet steel.
<b>Direction of air flow</b>	Centrifugal
<b>Direction of rotation</b>	Left, looking at rotor
<b>Bearing</b>	Ball bearings
<b>Lifetime L10 at 40 °C</b>	30000 h
<b>Lifetime L10 at maximum temperature</b>	15000 h
<b>Connection line</b>	Single strands AWG 18
<b>Motor protection</b>	Protected from overload using impedance protection

Product drawing



## Charts

