

**ebm-papst St. Georgen GmbH & Co. KG**

Hermann-Papst-Straße 1

D-78112 St. Georgen

Phone +49 7724 81-0

Fax +49 7724 81-1309

info2@de.ebmpapst.com

www.ebmpapst.com

Nominal data

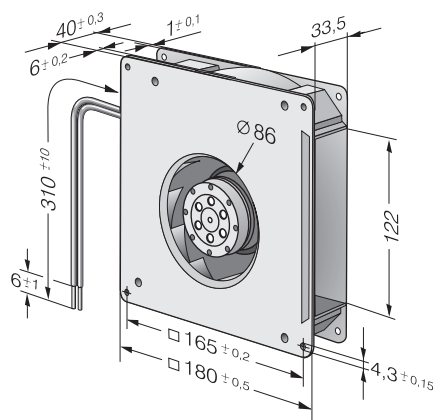
Type	RG 125-19/56	
Phase		1~
Nominal voltage	VAC	230
Frequency	Hz	50
Speed	min ⁻¹	2550
Power input	W	20.0
Min. ambient temperature	°C	-30
Max. ambient temperature	°C	70
Air flow	m ³ /h	86
Sound power level	B	5.8

ml = max. load · me = max. efficiency · rfa = running at free air · cs = customer specs · cu = customer unit
Subject to alterations

Technical features

Dimensions	180 x 180 x 40 mm
General description	AC voltage fan with external rotor motor shaded-pole motor. Protected from overload by impedance protection. Scroll housing and impeller made of fibreglass-reinforced plastic. Housing base of galvanized sheet steel. Centrifugal direction of air flow, air outlet from the housing window. Rotational direction clockwise looking at rotor. Electrical connection to 2 single strands AWG 22. Strand ends bared and tin-plated. Mass 850 g.
Connection line	2 single strands AWG 22
Direction of rotation	Right, looking at rotor
Direction of air flow	Centrifugal, air exhaust out of housing window
Bearing	Ball bearings
Lifetime L10 at 40 °C	37500 h
Lifetime L10 at maximum temperature	20000 h
Mass	0.850 kg
Housing material	Spiral housing of fiberglass-reinforced plastic, housing base of galvanized sheet steel.
Material of impeller	Fiberglass-reinforced plastic
Motor protection	Protected from overload using impedance protection
Approval	VDE, CSA, UL, CE

Product drawing



Charts: Air flow

