

RG 160-28/56S

AC centrifugal compact fan

single inlet



ebm-papst St. Georgen GmbH & Co. KG

Hermann-Papst-Straße 1

D-78112 St. Georgen

Phone +49 7724 81-0

Fax +49 7724 81-1309

info2@de.ebmpapst.com

www.ebmpapst.com

Nominal data

Type	RG 160-28/56S	
Phase		1~
Nominal voltage	VAC	230
Frequency	Hz	50
Speed	min ⁻¹	2750
Power input	W	47.0
Min. ambient temperature	°C	-30
Max. ambient temperature	°C	70
Air flow	m ³ /h	202
Sound power level	B	6.6

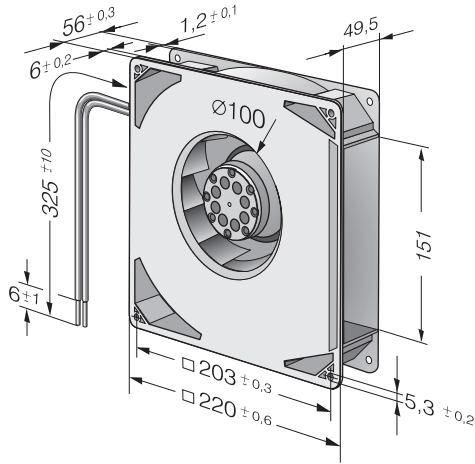
ml = max. load · me = max. efficiency · rfa = running at free air · cs = customer specs · cu = customer unit
Subject to alterations



Technical features

Dimensions	220 x 220 x 56 mm
General description	<p>AC voltage fan with external rotor motor shaded-pole motor. Protected from overload by a thermal switch</p> <p>Scroll housing and impeller made of fibreglass-reinforced plastic. Housing base of galvanized sheet steel.</p> <p>Centrifugal direction of air flow, air outlet from the housing window. Direction of rotation counter-clockwise seen on rotor.</p> <p>Electrical connection to single strands AWG 18. Strand ends bared and tin-plated.</p> <p>Mass: 1.7 g.</p>
Connection line	Single strands AWG18
Direction of rotation	Left, looking at rotor
Direction of air flow	Centrifugal, air exhaust out of housing window
Bearing	Ball bearings
Lifetime L10 at 40 °C	30000 h
Lifetime L10 at maximum temperature	15000 h
Mass	1.700 kg
Housing material	Spiral housing of fiberglass-reinforced plastic, housing base of galvanized sheet steel.
Material of impeller	Fiberglass-reinforced plastic
Motor protection	Protected from overload by a thermal switch
Approval	VDE, CSA, UL, CE

Product drawing



Charts: Air flow

