

**ebm-papst St. Georgen GmbH & Co. KG**

Hermann-Papst-Str. 1

D-78112 St. Georgen

Phone +49 (0) 7724 81-0

Fax +49 (0) 7724 81-1309

info2@de.ebmpapst.com

www.ebmpapst.com

Nominal data

Type	255 N	
Nominal voltage	VDC	5
Nominal voltage range	VDC	4.5 .. 5.5
Speed	min ⁻¹	9600
Power input	W	0.4
Min. ambient temperature	°C	-10
Max. ambient temperature	°C	70
Air flow	m ³ /h	3.5
Sound power level	B	<3
Sound pressure level	dB(A)	16

ml = Max. load · me = Max. efficiency · fa = Running at free air · cs = Customer specs · cu = Customer unit
Subject to alterations



Technical features

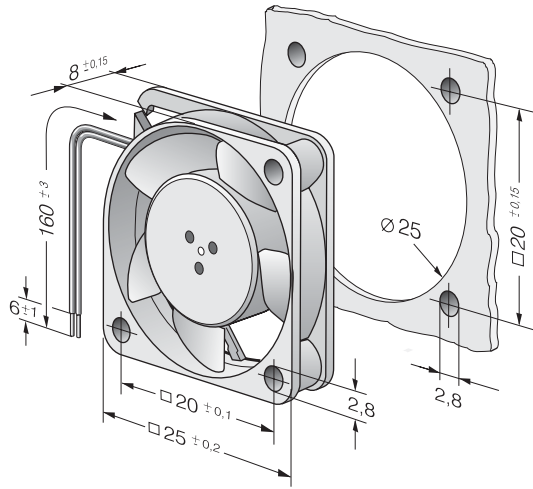
Mass	0.005 kg
Dimensions	25 x 25 x 8 mm
Material of impeller	Fiberglass-reinforced PA plastic
Housing material	Fiberglass-reinforced PBT plastic
Direction of air flow	Air exhaust over bars
Direction of rotation	Left, looking at rotor
Bearing	Sintec sleeve bearing system
Lifetime L10 at 20 °C	40000 h
Lifetime L10 at 60 °C	12000 h
Connection line	Single strands AWG 28, TR 64, bared and tin-plated
Motor protection	Protected against reverse polarity and locking.
Approval	VDE, CSA, UL, CE



255 N

DC axial compact fan

Product drawing



Charts: Air flow

