

3214 JH3

DC axial compact fan



ebm-papst St. Georgen GmbH & Co. KG

Hermann-Papst-Straße 1

D-78112 St. Georgen

Phone +49 7724 81-0

Fax +49 7724 81-1309

info2@de.ebmpapst.com

www.ebmpapst.com

Nominal data

Type	3214 JH3	
Nominal voltage	VDC	24
Nominal voltage range	VDC	12 .. 27.6
Speed	min ⁻¹	11000
Power input	W	30
Min. ambient temperature	°C	-20
Max. ambient temperature	°C	70
Air flow	m ³ /h	237
Sound power level	B	7.8
Sound pressure level	dB(A)	69

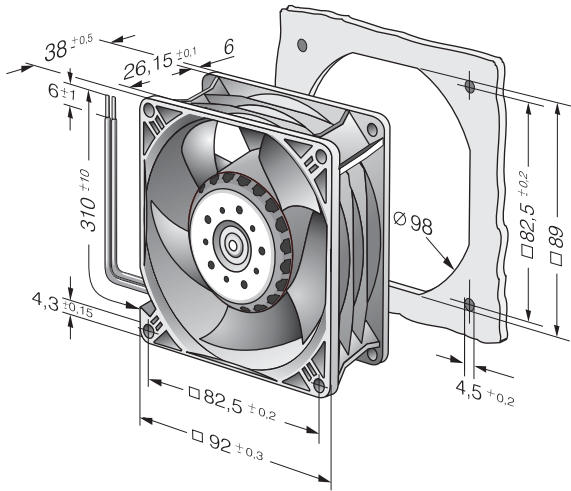
ml = max. load · me = max. efficiency · rfa = running at free air · cs = customer specs · cu = customer unit
Subject to alterations



Technical features

Dimensions	92 x 92 x 38 mm
General description	DC fan with electronically commutated external rotor motor. Compact design with high power density. Rigid compression curve at low noise. Innovative impeller design with winglets.
Connection line	2 single strands AWG 24, TR 64
Direction of rotation	Right, looking at rotor
Direction of air flow	Air exhaust over bars
Bearing	Ball bearings
Lifetime L10 at 40 °C	65000 h
Lifetime L10 at maximum temperature	32500 h
Mass	0.280 kg
Housing material	Fiberglass-reinforced PBTP plastic
Material of impeller	Fiberglass-reinforced PA plastic
Motor protection	Electronic reverse-polarity, locked-rotor, and overload protection.

Product drawing



Charts: Air flow

