

**ebm-papst St. Georgen GmbH & Co. KG**

Hermann-Papst-Straße 1

D-78112 St. Georgen

Phone +49 7724 81-0

Fax +49 7724 81-1309

info2@de.ebmpapst.com

www.ebmpapst.com

Nominal data

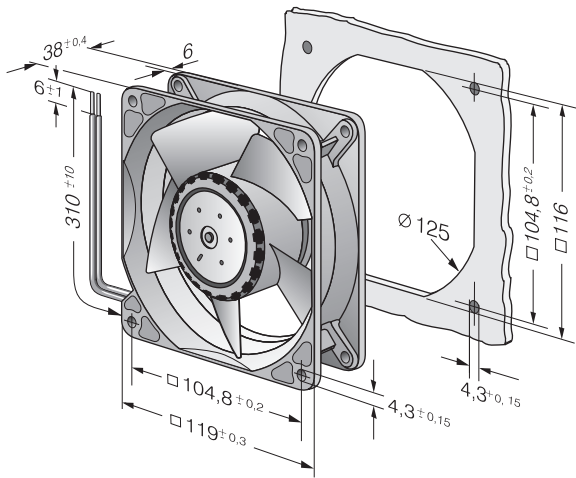
| Type | 4118 N/2H7P | |
|--------------------------|-------------------|----------|
| Nominal voltage | VDC | 48 |
| Nominal voltage range | VDC | 36 .. 60 |
| Speed | min ⁻¹ | 9500 |
| Power input | W | 90 |
| Min. ambient temperature | °C | -20 |
| Max. ambient temperature | °C | 75 |
| Air flow | m ³ /h | 500 |
| Sound power level | B | 8.5 |
| Sound pressure level | dB(A) | 76 |

ml = max. load · me = max. efficiency · rfa = running at free air · cs = customer specs · cu = customer unit
Subject to alterations

Technical features

| | |
|--|---|
| Dimensions | 119 x 119 x 38 mm |
| General description | <p>Particular design features:</p> <p>Very rigid compression curve for high air flow at high counterpressure.</p> <p>Low operating noise level at high counterpressure.</p> <p>Standard model with PWM control input and speed signal, other inputs and outputs on request.</p> <p>Very smooth running 3-phase fan drive.</p> <p>General features:</p> <p>Housing made of aluminium, impeller made of fibreglass-reinforced PA; housing with grounding lug for M4 x 8 screw (Torx).</p> <p>Protected against reverse polarity and locking.</p> <p>Connection via single strands AWG 20, sensor and control strands AWG 22, UL1007, TR 64 bared and tin-plated.</p> <p>Inlet over bars. Rotational direction clockwise looking at rotor.</p> <p>Mass: 425 g.</p> |
| Connection line | Single strands AWG 20, sensor and control strands AWG 22, UL 1007, TR 64, bared and tin-plated. |
| Direction of rotation | Clockwise, looking at rotor |
| Direction of air flow | Inlet over bars |
| Bearing | Ball bearings |
| Lifetime L10 at 40 °C | 57500 h |
| Lifetime L10 at maximum temperature | 25000 h |
| Mass | 0.425 kg |
| Housing material | Aluminum with grounding lug for screw M4 x 8 (TORX). |
| Material of impeller | Fiberglass-reinforced PA plastic |
| Motor protection | Protected against reverse polarity and locking. |

Product drawing



Charts: Air flow

