

**ebm-papst St. Georgen GmbH & Co. KG**

Hermann-Papst-Str. 1  
 D-78112 St. Georgen  
 Phone +49 (0) 7724 81-0  
 Fax +49 (0) 7724 81-1309  
 info2@de.ebmpapst.com  
 www.ebmpapst.com

**Nominal data**

Type	4182 NGX	
Nominal voltage	VDC	12
Nominal voltage range	VDC	6 .. 15
Speed	min <sup>-1</sup>	2800
Power input	W	3.7
Min. ambient temperature	°C	-20
Max. ambient temperature	°C	75
Air flow	m <sup>3</sup> /h	160
Sound power level	B	5.3
Sound pressure level	dB(A)	44

ml = Max. load · me = Max. efficiency · fa = Running at free air · cs = Customer specs · cu = Customer unit  
 Subject to alterations

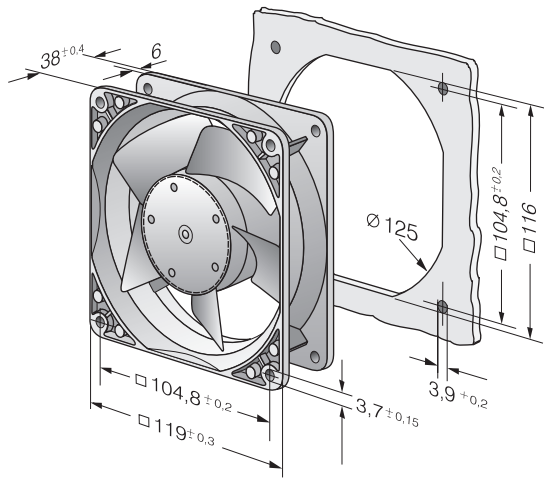


**Technical features**

<b>Mass</b>	0.390 kg
<b>Dimensions</b>	119 x 119 x 38 mm
<b>Material of impeller</b>	Fiberglass-reinforced PA plastic
<b>Housing material</b>	Aluminum with grounding lug for screw M4 x 8 (TORX).
<b>Direction of air flow</b>	Inlet over bars
<b>Direction of rotation</b>	Clockwise, looking at rotor
<b>Bearing</b>	Sintec sleeve bearing
<b>Lifetime L10 at 40 °C</b>	85000 h
<b>Lifetime L10 at maximum temperature</b>	37500 h
<b>Connection line</b>	Flat plugs 2.8 x 0.5 mm. Optionally also available with strands.
<b>Motor protection</b>	Protected against reverse polarity and locking.
<b>Approval</b>	VDE, CSA, UL



## Product drawing



Charts: Air flow

