

**ebm-papst St. Georgen GmbH & Co. KG**

Hermann-Papst-Str. 1  
 D-78112 St. Georgen  
 Phone +49 (0) 7724 81-0  
 Fax +49 (0) 7724 81-1309  
 info2@de.ebmpapst.com  
 www.ebmpapst.com

**Nominal data**

| Type                     | 612 NH            |         |
|--------------------------|-------------------|---------|
| Nominal voltage          | VDC               | 12      |
| Nominal voltage range    | VDC               | 8 .. 15 |
| Speed                    | min <sup>-1</sup> | 5600    |
| Power input              | W                 | 1.8     |
| Min. ambient temperature | °C                | -20     |
| Max. ambient temperature | °C                | 70      |
| Air flow                 | m <sup>3</sup> /h | 43      |
| Sound power level        | B                 | 5.3     |
| Sound pressure level     | dB(A)             | 37      |

ml = Max. load · me = Max. efficiency · fa = Running at free air · cs = Customer specs · cu = Customer unit  
 Subject to alterations

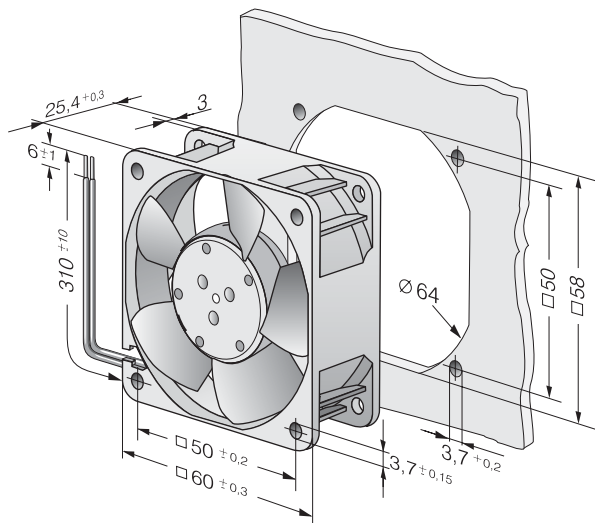


**Technical features**

|  |   |
|--|---|
| <b>Mass</b>                                | 0.085 kg  |
| <b>Dimensions</b>                          | 60 x 60 x 25 mm                                     |
| <b>Material of impeller</b>                | Fiberglass-reinforced PA plastic                    |
| <b>Housing material</b>                    | Fiberglass-reinforced PBTP plastic                  |
| <b>Direction of air flow</b>               | Air exhaust over bars                               |
| <b>Direction of rotation</b>               | Right, looking at rotor                             |
| <b>Bearing</b>                             | Ball bearings                                       |
| <b>Lifetime L10 at 40 °C</b>               | 70000 h   |
| <b>Lifetime L10 at maximum temperature</b> | 35000 h   |
| <b>Connection line</b>                     | Single strands AWG 22, TR 64, bared and tin-plated. |
| <b>Motor protection</b>                    | Protected against reverse polarity and locking.     |
| <b>Locked-rotor protection</b>             | With electronic blocking and overload protection    |
| <b>Approval</b>                            | VDE, CSA, UL, CE                                    |



## Product drawing



## Charts: Air flow

