

ebm-papst St. Georgen GmbH & Co. KG

Hermann-Papst-Str. 1

D-78112 St. Georgen

Phone +49 (0) 7724 81-0

Fax +49 (0) 7724 81-1309

info2@de.ebmpapst.com

www.ebmpapst.com

Nominal data

Type	6314 / 2 TDHP	
Nominal voltage	VDC	24
Nominal voltage range	VDC	16 .. 36
Speed	min ⁻¹	5500
Power input	W	40
Min. ambient temperature	°C	-20
Max. ambient temperature	°C	75
Air flow	m ³ /h	600
Sound power level	B	7.3
Sound pressure level	dB(A)	60

ml = Max. load · me = Max. efficiency · fa = Running at free air · cs = Customer specs · cu = Customer unit
Subject to alterations

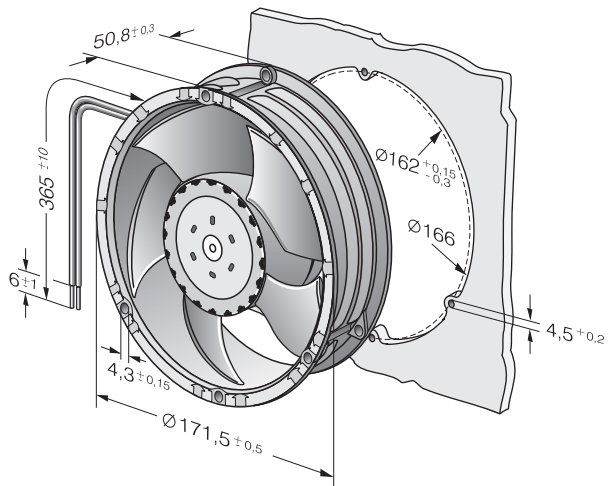


Technical features

Mass	0.910 kg
Dimensions	172 Ø x 51 mm
Material of impeller	Fiberglass-reinforced PA plastic
Housing material	Aluminum. Housing with grounding lug for screw M4 x 8 (TORX).
Direction of air flow	Air exhaust over bars
Direction of rotation	Counterclockwise, looking at rotor
Bearing	Ball bearings
Lifetime L10 at 40 °C	75000 h
Lifetime L10 at maximum temperature	37500 h
Motor protection	Protected against reverse polarity and locking.



Product drawing



Charts: Air flow

