

**ebm-papst St. Georgen GmbH & Co. KG**

Hermann-Papst-Str. 1

D-78112 St. Georgen

Phone +49 7724 81-0

Fax +49 7724 81-1309

info2@de.ebmpapst.com

www.ebmpapst.com

**Nominal data**

Type	RER 120-26/14/2 TDP	
Nominal voltage	VDC	24
Nominal voltage range	VDC	16 .. 32
Speed	min <sup>-1</sup>	6100
Power input	W	78
Min. ambient temperature	°C	-20
Max. ambient temperature	°C	60
Air flow	m <sup>3</sup> /h	377
Sound power level	B	8.2

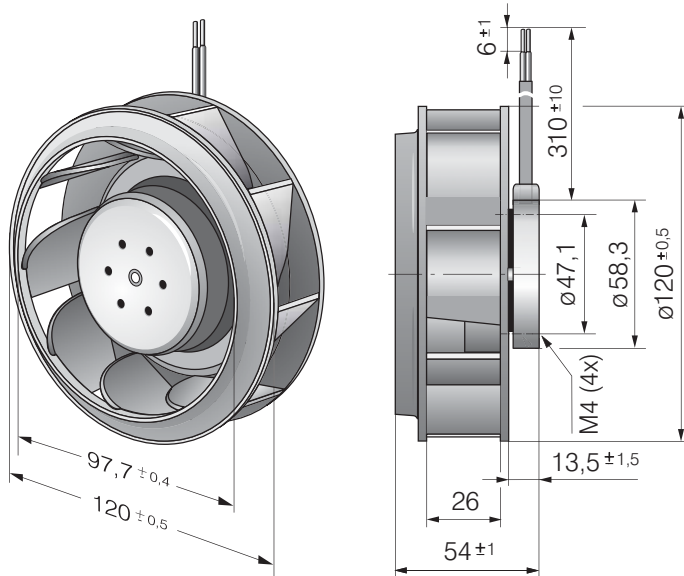
mi = max. load · me = max. efficiency · fa = running at free air · cs = customer specs · cu = customer unit  
Subject to alterations

**Technical features**

<b>Mass</b>	0.43 kg
<b>Dimensions</b>	120 Ø x 54 mm
<b>Lifetime L10 at 40 °C</b>	55000 h
<b>Lifetime L10 at maximum temperature</b>	35000 h



## Product drawing



Charts

