

RG 160-28/12 NM

# DC centrifugal compact fan

single inlet



## ebm-papst St. Georgen GmbH & Co. KG

Hermann-Papst-Straße 1

D-78112 St. Georgen

Phone +49 7724 81-0

Fax +49 7724 81-1309

info2@de.ebmpapst.com

www.ebmpapst.com

## Nominal data

Type	RG 160-28/12 NM	
Nominal voltage	VDC	12
Nominal voltage range	VDC	7 .. 14
Speed	min <sup>-1</sup>	1900
Power input	W	7.5
Min. ambient temperature	°C	-20
Max. ambient temperature	°C	70
Air flow	m <sup>3</sup> /h	139
Sound power level	B	5.6

mi = max. load · me = max. efficiency · rfa = running at free air · cs = customer specs · cu = customer unit  
Subject to alterations



## Technical features

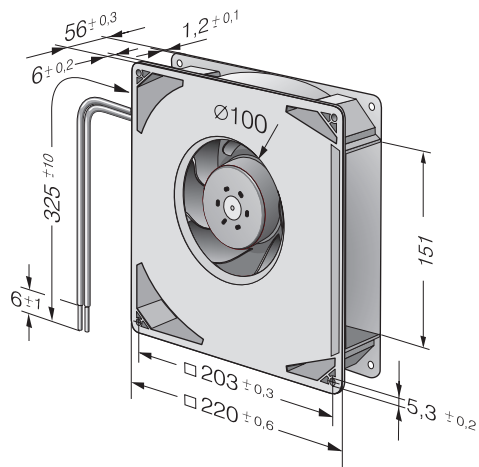
<b>Dimensions</b>	220 x 220 x 56 mm
<b>General description</b>	<p>Particular design features:</p> <p>Optional Vario-Pro: Highly flexible software configuration for the fan ensures an easily customisable solution to meet the individual requirements of your application.</p> <p>Backward curved impeller.</p> <p>General features:</p> <p>Scroll housing and impeller made of fibreglass-reinforced plastic; housing base made of sheet steel.</p> <p>Electronic commutation completely integrated.</p> <p>Protected against reverse polarity and locking.</p> <p>Direction of air flow: axial air intake, centrifugal air exhaust out of the outlet.</p> <p>Connection via single strands AWG 22, TR 64, bared and tin-plated.</p> <p>48 V model: flat plug 6.3 x 0.8 mm for protective earth.</p> <p>Mass: 1.4 g.</p>
<b>Connection line</b>	Single strands AWG 22, TR 64, bared and tin-plated.
<b>Locked-rotor protection</b>	With electronic overload protection
<b>Direction of air flow</b>	Axial air intake, centrifugal air exhaust out of the outlet.
<b>Bearing</b>	Ball bearings
<b>Lifetime L10 at 40 °C</b>	80000 h
<b>Lifetime L10 at maximum temperature</b>	40000 h
<b>Mass</b>	1.400 kg
<b>Housing material</b>	Scroll housing of fiberglass-reinforced plastic, housing base of sheet steel.
<b>Material of impeller</b>	Fiberglass-reinforced plastic
<b>Motor protection</b>	Protected against reverse polarity and locking.
<b>Approval</b>	VDE, CSA, UL, CE

RG 160-28/12 NM

# DC centrifugal compact fan

single inlet

## Product drawing



Charts: Air flow

