

RL 90-18/12 N

# DC centrifugal compact fan

single inlet



## ebmpapst St. Georgen GmbH & Co. KG

Hermann-Papst-Str. 1

D-78112 St. Georgen

Phone +49 (0) 7724 81-0

Fax +49 (0) 7724 81-1309

info2@de.ebmpapst.com

www.ebmpapst.com

## Nominal data

Type	RL 90-18/12 N	
Nominal voltage	VDC	12
Nominal voltage range	VDC	7 .. 15
Speed	min <sup>-1</sup>	2500
Power input	W	6.3
Min. ambient temperature	°C	-30
Max. ambient temperature	°C	75
Air flow	m <sup>3</sup> /h	40
Sound power level	B	5.8

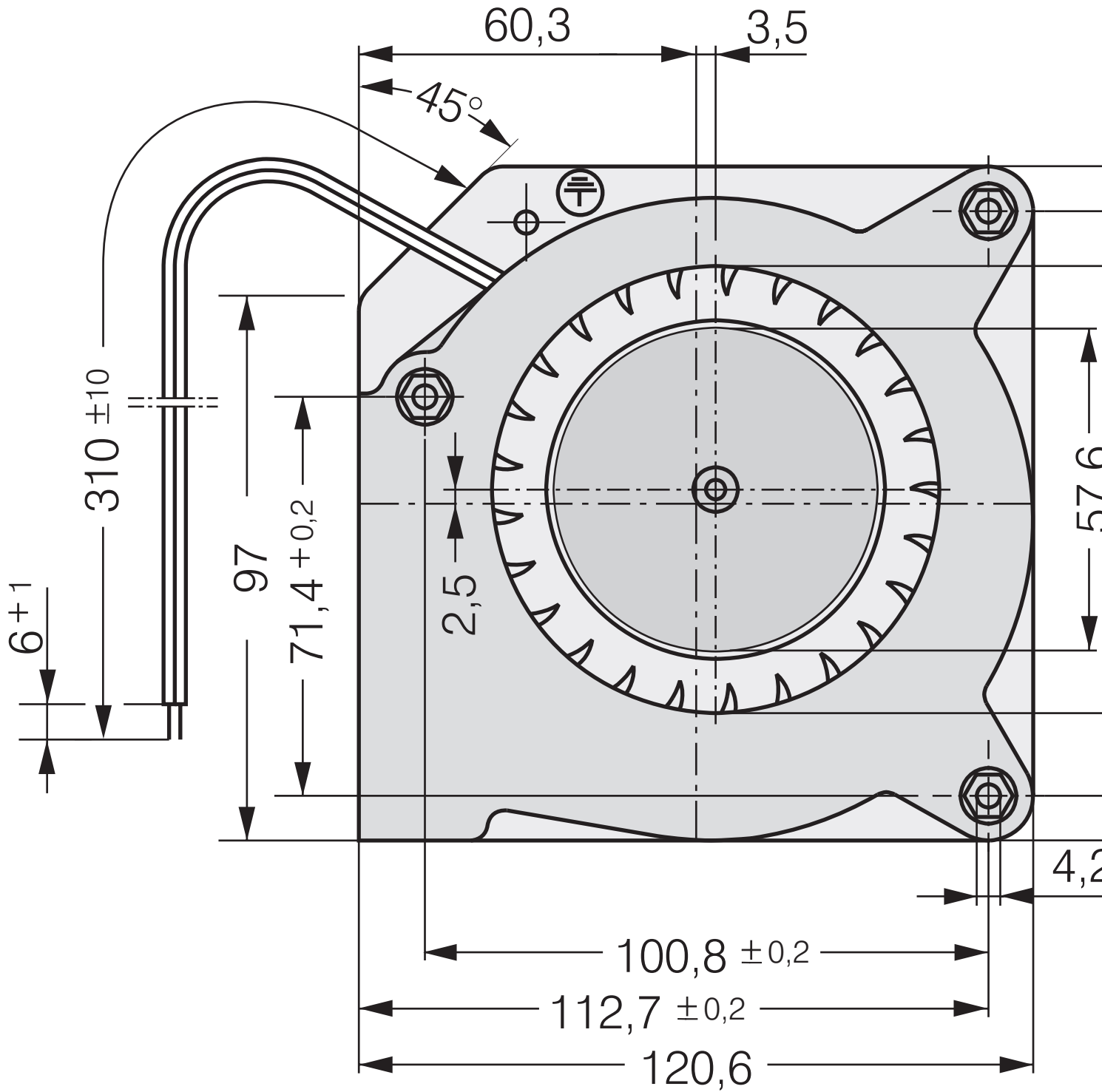
mi = max. load · me = max. efficiency · fa = running at free air · cs = customer specs · cu = customer unit  
Subject to alterations



## Technical features

<b>Mass</b>	0.420 kg
<b>Dimensions</b>	121 x 121 x 37 mm
<b>Material of impeller</b>	Fiberglass-reinforced plastic
<b>Housing material</b>	Scroll housing of fiberglass-reinforced plastic, housing base of sheet steel.
<b>Direction of air flow</b>	Axial air intake, centrifugal air exhaust out of the outlet.
<b>Bearing</b>	Ball bearings
<b>Lifetime L10 at 40 °C</b>	62500 h
<b>Lifetime L10 at maximum temperature</b>	27500 h
<b>Connection line</b>	Single strands AWG 22, TR 64, bared and tin-plated.
<b>Motor protection</b>	Protected against reverse polarity and locking.
<b>Locked-rotor protection</b>	Blocking and overload protection
<b>Approval</b>	VDE, CSA, UL, CE

Product drawing



\*Federmutter M4 oder 8-32UNC. Ein

\*Speed nut M4 or 8-32UNC. Screw-i

## Charts: Air flow

