

DV 5212 N

DC diagonal compact fan

sickled blades (S series)



ebm-papst St. Georgen GmbH & Co. KG

Hermann-Papst-Straße 1

D-78112 St. Georgen

Phone +49 7724 81-0

Fax +49 7724 81-1309

info2@de.ebmpapst.com

www.ebmpapst.com

Nominal data

| Type | DV 5212 N | |
|--------------------------|-------------------|---------|
| Nominal voltage | VDC | 12 |
| Nominal voltage range | VDC | 9 .. 15 |
| Speed | min ⁻¹ | 5000 |
| Power input | W | 21.0 |
| Min. ambient temperature | °C | -20 |
| Max. ambient temperature | °C | 65 |
| Air flow | m ³ /h | 270 |
| Sound power level | B | 6.4 |
| Sound pressure level | dB(A) | 56 |

ml = max. load · me = max. efficiency · rfa = running at free air · cs = customer specs · cu = customer unit
Subject to alterations



Technical features

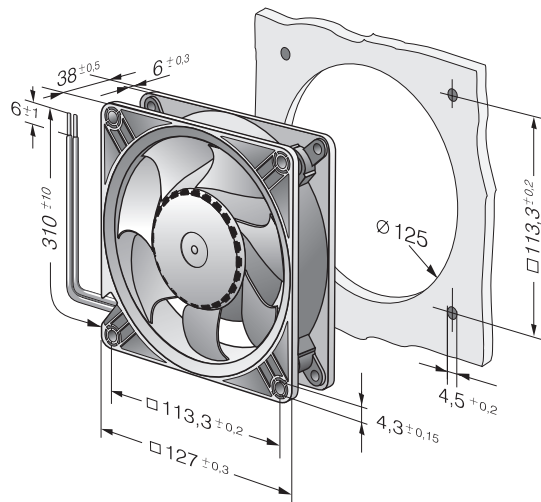
| | |
|--|--|
| Dimensions | 127 x 127 x 38 mm |
| General description | <p>Particular design features:</p> <p>Diagonal fan with low noise when there is a high pressure saddle curve. Rigid compression curve for high air flow at high counterpressure. Optional Vario-Pro: Highly flexible software configuration for the fan ensures an easily customisable solution to meet the individual requirements of your application. DV 5214 /2HP with PWM control input and speed signal, other inputs and outputs on request.</p> <p>General features:</p> <p>Housing made of fibreglass-reinforced plastic, optionally of aluminium. Flange made of metal. Impeller made of fibreglass-reinforced PA; housing with grounding lug for screw M4 x 8 (Torx). Electronic commutation completely integrated. Protected against reverse polarity and locking. Connection via single strands AWG 22, TR 64, bared and tin-plated. Air exhaust over bars. Direction of rotation counter-clockwise seen on rotor. Mass: 415 g (with metal housing: 490 g).</p> |
| Connection line | Single strands AWG 22, TR 64, bared and tin-plated. |
| Locked-rotor protection | With electronic blocking and overload protection |
| Direction of rotation | Left, looking at rotor |
| Direction of air flow | Air exhaust over bars |
| Bearing | Ball bearings |
| Lifetime L10 at 40 °C | 70000 h |
| Lifetime L10 at maximum temperature | 40000 h |
| Mass | 0.415 kg |
| Housing material | Fiberglass-reinforced PBT plastic, optionally of aluminum. Housing with grounding lug for screw M4 x 8 (TORX). |
| Material of impeller | Fiberglass-reinforced PA plastic, metal flange |
| Motor protection | Protected against reverse polarity and locking. |
| Approval | VDE, CSA, UL, CE |

DV 5212 N

DC diagonal compact fan

sickled blades (S series)

Product drawing



Charts: Air flow

