

G1G146-BA07-52

## EC centrifugal fan

forward curved, single inlet  
with housing (flange)



**ebm-papst Mulfingen GmbH & Co. KG**

Bachmühle 2

D-74673 Mulfingen

Phone: +49(0)7938/81-0

Fax: +49(0)7938/81-110

info1@de.ebmpapst.com

www.ebmpapst.com

### Nominal data

Type	G1G146-BA07-52	
Motor	M1G074-BF	
Nominal voltage	[VDC]	24
Nominal voltage range	[VDC]	16 .. 28
Type of data definition		rfa
Speed	[min <sup>-1</sup> ]	2200
Power input	[W]	100
Current draw	[A]	5.0
Min. ambient temperature	[°C]	- 25
Max. ambient temperature	[°C]	+60

ml = max. load · me = max. efficiency · rfa = running at free air · cs = customer specs · cu = customer unit  
Subject to alterations

# EC centrifugal fan

forward curved, single inlet  
with housing (flange)

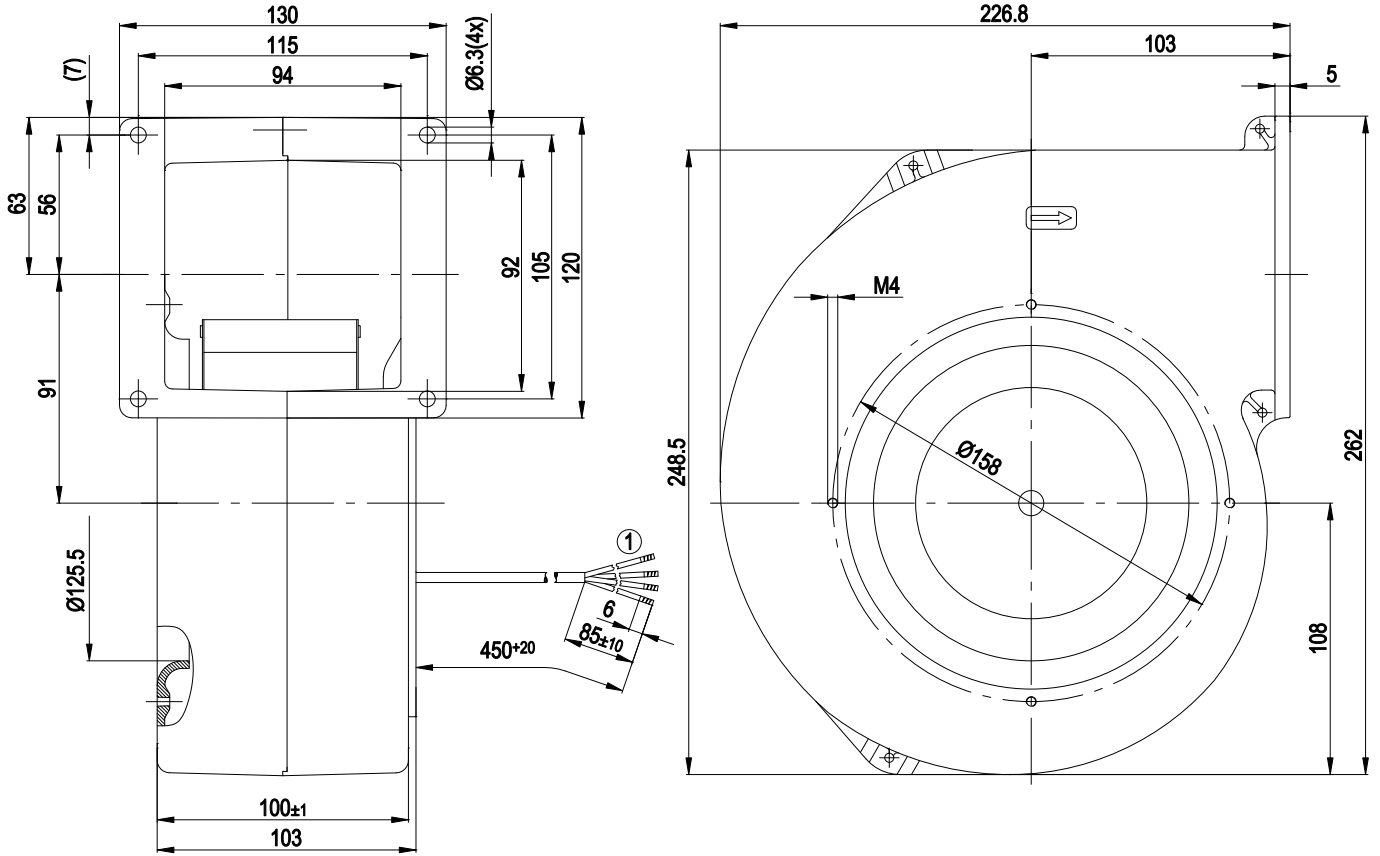
## Technical features

<b>Size</b>	146 mm
<b>Operation mode</b>	S1
<b>Direction of rotation</b>	Clockwise, seen on rotor
<b>Mounting position</b>	Any
<b>EMC interference emission</b>	Acc. to EN 55022 (Class B)
<b>EMC interference immunity</b>	Acc. to EN 61000-6-2 (industrial environment)
<b>Humidity class</b>	F0
<b>Insulation class</b>	"B"
<b>Cable exit</b>	Axial
<b>Condensate discharge holes</b>	None
<b>Motor bearing</b>	Ball bearing
<b>Mass</b>	2.8 kg
<b>Housing material</b>	Die-cast aluminium
<b>Material of impeller</b>	Sheet steel, hot-galvanised
<b>Motor protection</b>	Reverse polarity and locked-rotor protection
<b>Product conforming to standard</b>	EN 60950-1
<b>Type of protection</b>	IP 42
<b>Technical features</b>	<ul style="list-style-type: none"> <li>- Tach output</li> <li>- Motor current limit</li> <li>- Soft start</li> <li>- Control input 0-10 VDC / PWM</li> </ul>
<b>Max. permissible ambient motor temp. (transp./ storage)</b>	+80 °C
<b>Min. permissible ambient motor temp. (transp./storage)</b>	-40 °C
<b>Approval</b>	CSA C22.2 Nr.77; UL 1004-1

# EC centrifugal fan

forward curved, single inlet  
with housing (flange)

## Product drawing

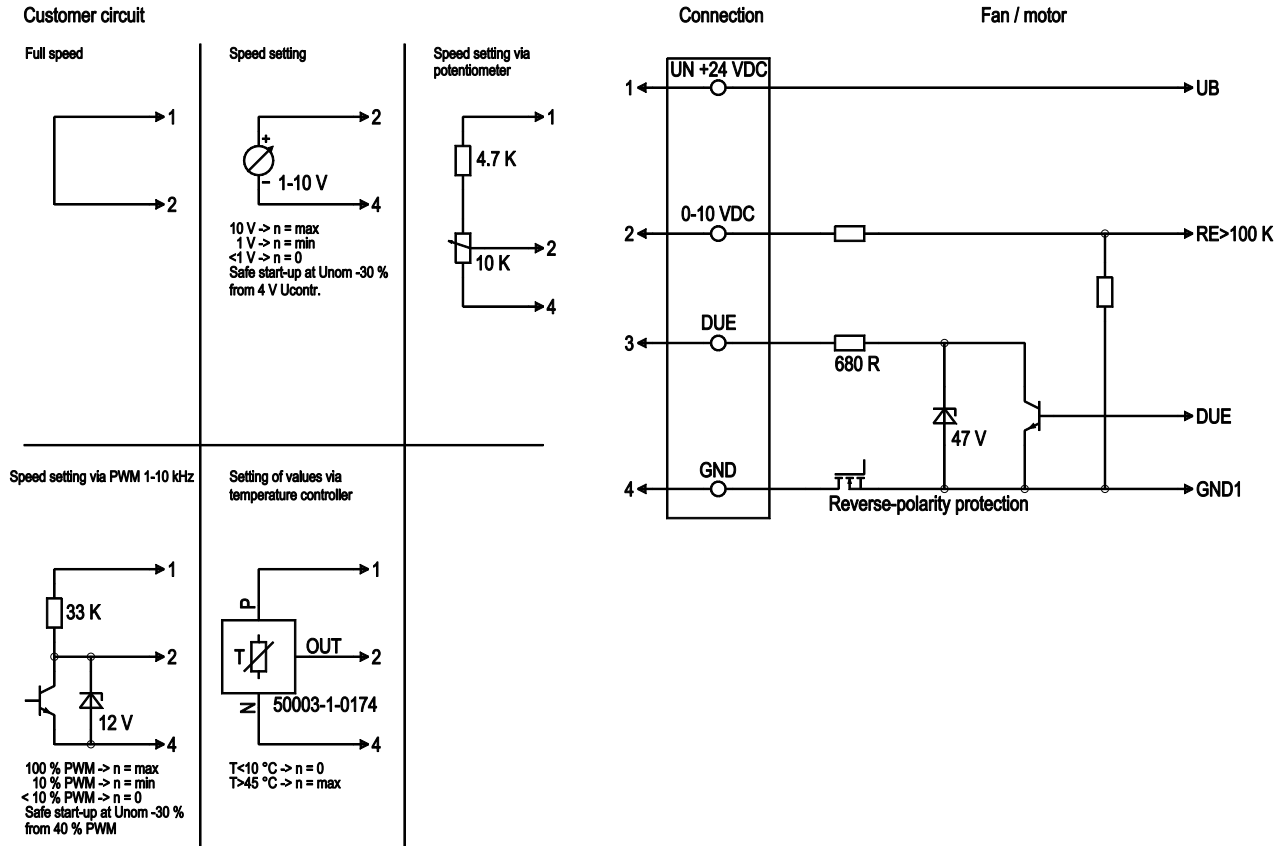


1 Connection line AWG20; 4 x brass lead tips crimped

# EC centrifugal fan

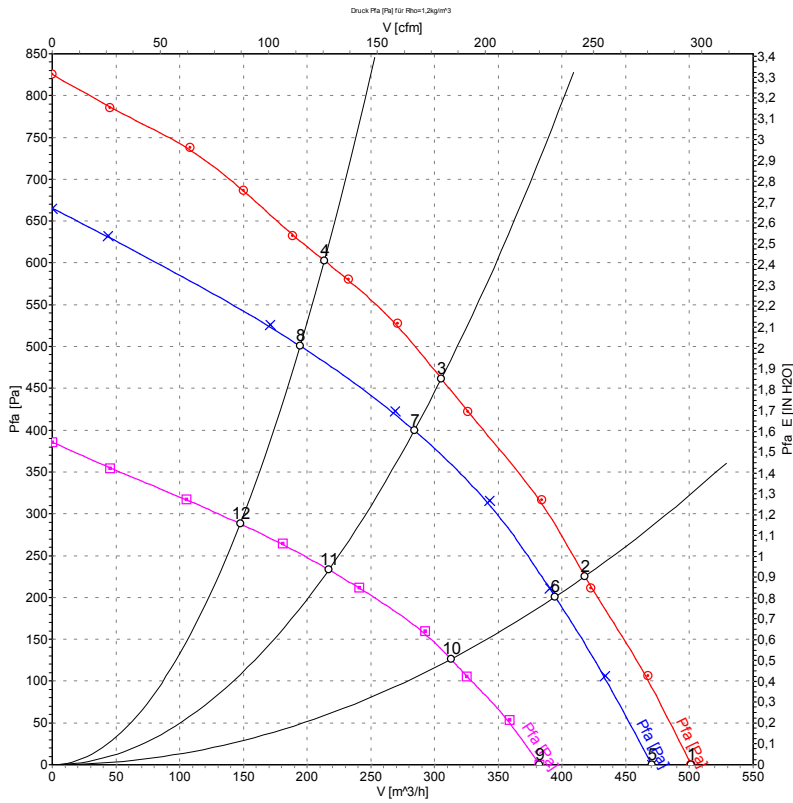
forward curved, single inlet  
with housing (flange)

## Connection screen



Line	No.	Signal	Colour	Function / assignment
1	1	Un +24 VDC	red	Power supply 24 VDC, residual ripple 3.5 %
1	2	0-10 VDC	yellow	Control input Re > 100 K
1	3	DUE	white	Speed monitoring output, 3 pulses per rotation, Isink max = 10 mA
1	4	GND	blue	Reference mass

## Charts: Air flow



Measurement: LU-49675  
 Measurement: LU-49674  
 Measurement: LU-49676

## Measured values

	U	n	P <sub>1</sub>	I	$\hat{V}$	p <sub>fa</sub>
	[V]	[min <sup>-1</sup> ]	[W]	[A]	[m <sup>3</sup> /h]	[Pa]
1	28	2350	124	5.54	500	0
2	28	2585	118	5.03	420	224
3	28	2955	110	4.48	305	461
4	28	3275	101	4.00	215	603
5	24	2200	100	5.00	470	0
6	24	2425	98	4.67	395	200
7	24	2745	88	4.09	285	400
8	24	3000	76	3.49	195	500
9	16	1810	56	3.90	380	0
10	16	1950	50	3.45	315	126
11	16	2140	42	2.90	215	233
12	16	2295	36	2.55	150	288