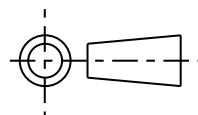


ISS.	DATE	E.C.N.	DESCRIPTION
3	6-JUL-04	08/04/1160	INCLUSION SPECIFICATION ADDED
4	15-Jan-07	1/07/1198	EJECTOR PIN CUTOUTS ENLARGED

© 2007 CARCLO  
ALL DIMENSIONS IN mm



### CUSTOMER DRAWING



CARCLO TECHNICAL PLASTICS (SLOUGH) LTD.  
111 BUCKINGHAM AVE, SLOUGH  
SL1 4PF, ENGLAND  
TEL: +44 1753 575011 FAX: +44 1753 811359  
e-mail: design@ctpcoil.co.uk}

#### GENERAL TOLERANCES (UNLESS STATED)

LINEAR	ANGULAR
X +/- 0.25	X +/- 1°
X.X +/- 0.1	X.X +/- 0.5°
X.XX +/- 0.05	X.XX +/- 0.1°

CUSTOMER

CARCLO

TITLE

LED COLLIMATOR PLAIN

DRAWN

AJD

DATE

26-Jun-03

CHK'D

DATE

APP'D

DATE

SCALE

2:1

COIL PART No.

10003

SIZE

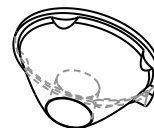
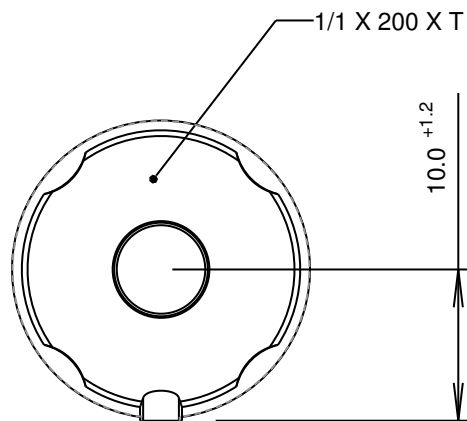
A4

COIL DRG. No.

60318

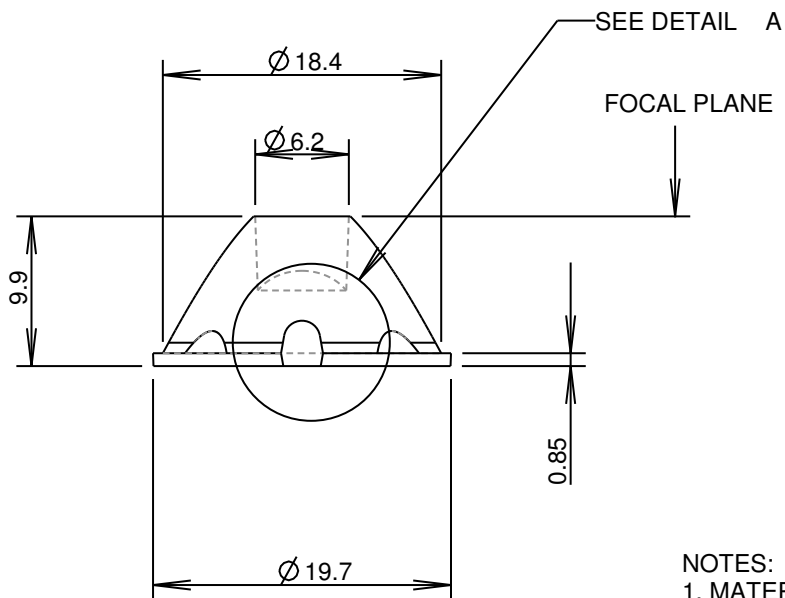
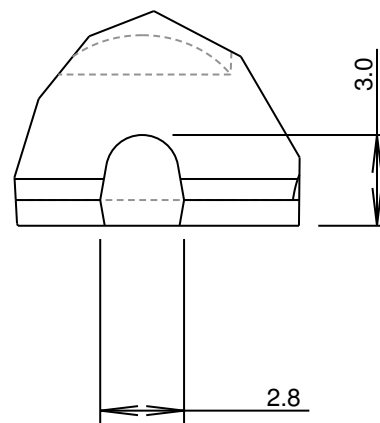
SHEET

1 OF 1



3D VIEW  
SCALE 1:1

DETAIL A  
SCALE 4:1



NOTES:  
1. MATERIAL - UV STABILISED POLYCARBONATE  
2. INCLUSIONS SPECIFIED TO BS4301