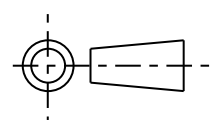


ISS.	DATE	E.C.N.	DESCRIPTION
1	19-Feb-04		FIRST ISSUE

© 2007 CARCLO
ALL DIMENSIONS IN mm



CARCLO TECHNICAL PLASTICS (SLOUGH) LTD.
111 BUCKINGHAM AVE, SLOUGH
SL1 4PF, ENGLAND
TEL: +44 1753 575011 FAX: +44 1753 811359
e-mail: design@ctpcoil.co.uk}

CUSTOMER DRAWING

GENERAL TOLERANCES (UNLESS STATED)

LINEAR	ANGULAR
X +/- 0.25	X +/- 1°
X.X +/- 0.1	X.X +/- 0.5°
X.XX +/- 0.05	X.XX +/- 0.1°

CUSTOMER

TITLE

LED OPTIC 4 X 25 DEG

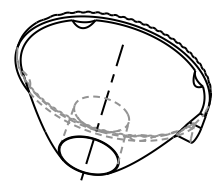
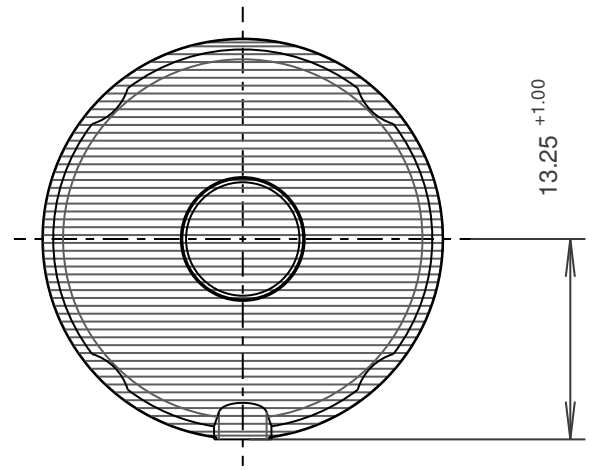
DRAWN **AJD** DATE **19-Feb-04**

CHK'D DATE

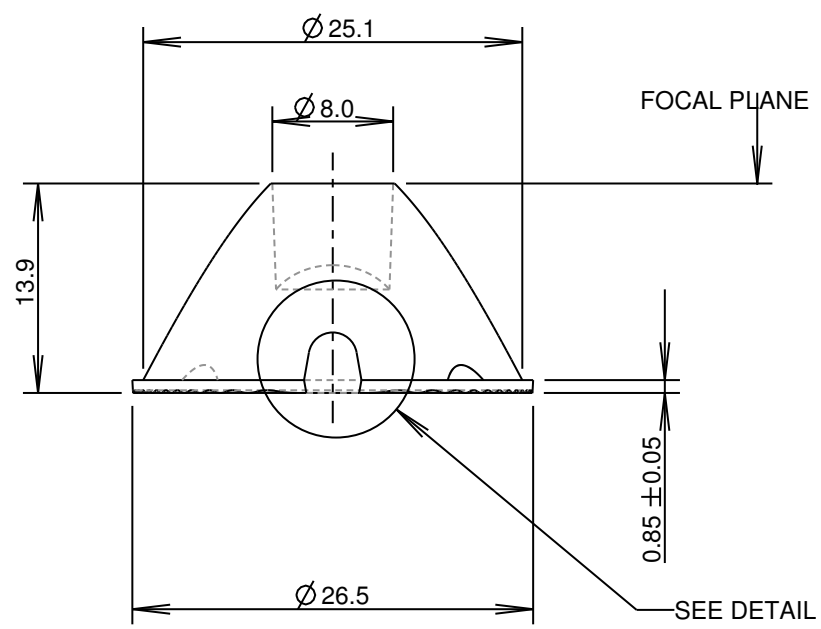
APP'D DATE

SCALE **2:1** COIL PART No. **10049**

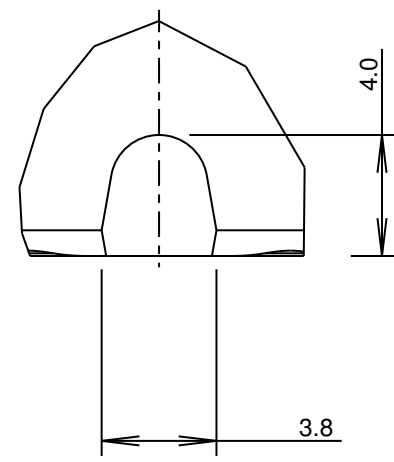
SIZE **A4** COIL DRG. No. **60368** SHEET **1 OF 1**



SCALE 1:1
GENERAL VIEW



DETAIL A
SCALE 4:1



MATERIAL: POLYCARBONATE