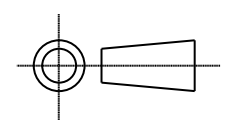


ISS.	DATE	E.C.N.	DESCRIPTION
2	15-Jan-07	1/07/1198	EJECTOR PIN CUT OUTS ENLARGED
3	9-Jan-09	1/09/1236	PART TABLE UPDATED

© 2008 CARCLO
ALL DIMENSIONS IN mm



CARCLO TECHNICAL PLASTICS (SLOUGH)
111 BUCKINGHAM AVE, SLOUGH
SL1 4PF, ENGLAND
TEL: +44 1753 575011 FAX: +44 1753 811359
e-mail: design@carclo-optics.com}

CUSTOMER DRAWING

GENERAL TOLERANCES (UNLESS STATED)

LINEAR	ANGULAR
X +/- 0.25	X +/- 1°
X.X +/- 0.1	X.X +/- 0.5°
X.XX +/- 0.05	X.XX +/- 0.1°

CUSTOMER

CARCLO

TITLE

0.8MM OFFSET FOCUS
20 MM DIA OPTIC

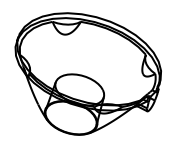
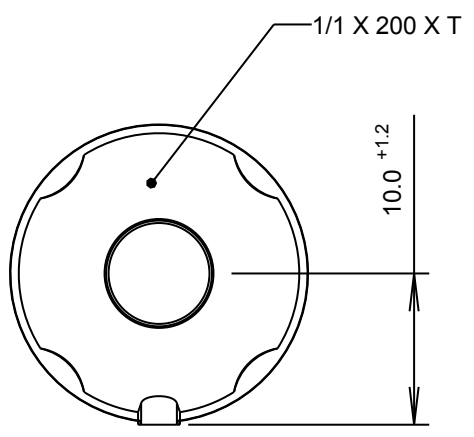
DRAWN **AJD** DATE **17-Aug-06**

CHK'D _____ DATE _____

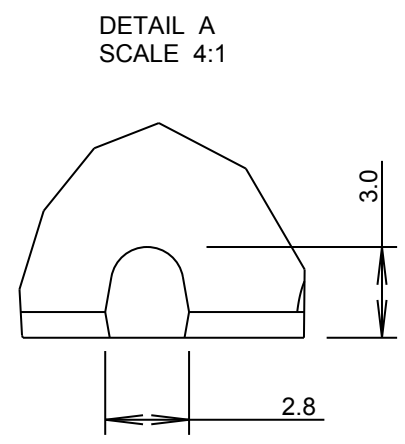
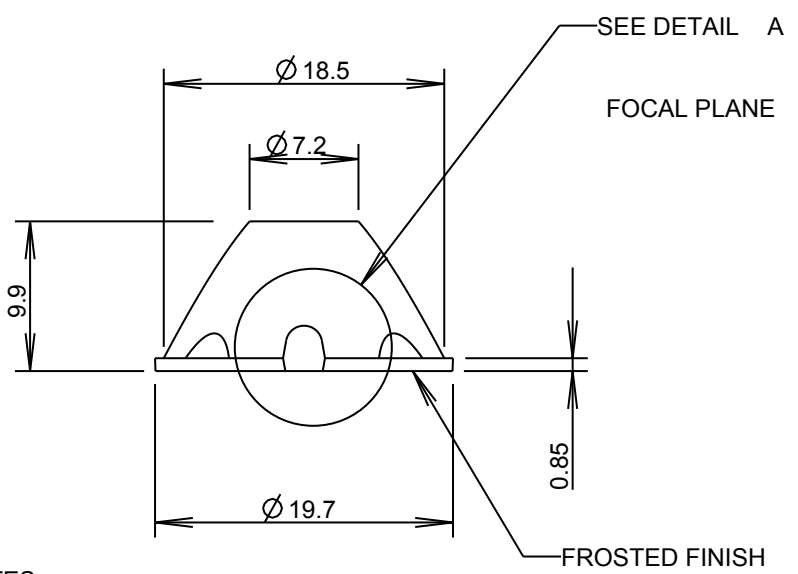
APP'D _____ DATE _____

SCALE **2:1** CARCLO PART No. **SEE TABLE**

SIZE **A4** CARCLO DRG. No. **60431** SHEET **1 OF 1**



3D VIEW
SCALE 1:1



DETAIL A
SCALE 4:1

DESCRIPTION	PART NO.
PLAIN (NO FROSTING)	10193
SOFT NARROW BEAM	10194
SOFT MEDIUM BEAM	10195

NOTES:
1. MATERIAL - UV STABILISED POLYCARBONATE
2. INCLUSIONS SPECIFIED TO BS4301