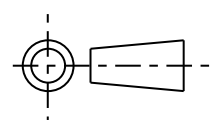


ISS.	DATE	E.C.N.	DESCRIPTION
1	26-Apr-07		FIRST ISSUE

© 2007 CARCLO
ALL DIMENSIONS IN mm



CARCLO TECHNICAL PLASTICS (SLOUGH)
111 BUCKINGHAM AVE, SLOUGH
SL1 4PF, ENGLAND
TEL: +44 1753 575011 FAX: +44 1753 811359
e-mail: design@carclo-optics.com}

CUSTOMER DRAWING

GENERAL TOLERANCES (UNLESS STATED)

LINEAR	ANGULAR
X +/- 0.25	X +/- 1°
X.X +/- 0.1	X.X +/- 0.5°
X.XX +/- 0.05	X.XX +/- 0.1°

CUSTOMER

CARCLO

TITLE

0.8MM OFFSET FOCUS SOFT
WIDE BEAM FROSTED OPTIC

DRAWN *AJD* DATE 26-Apr-07

CHK'D DATE

APP'D DATE

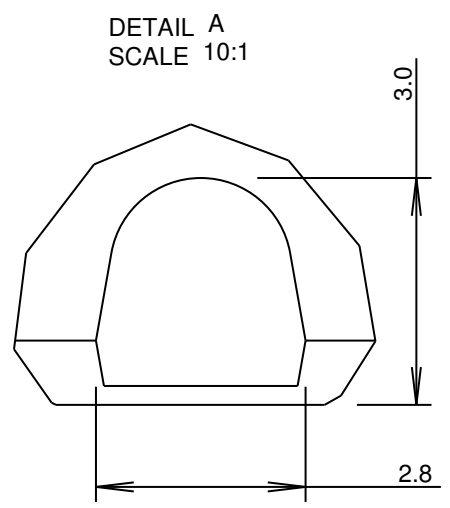
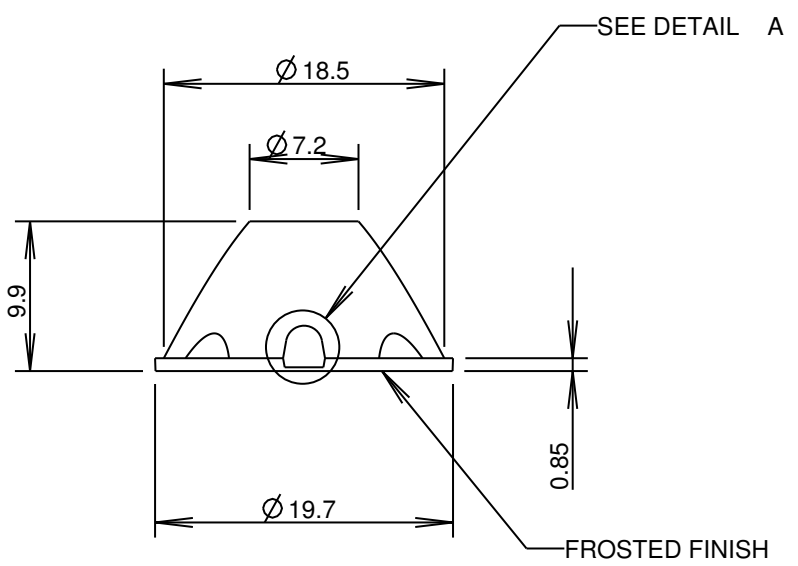
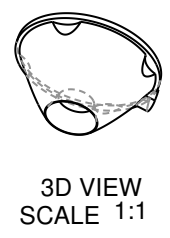
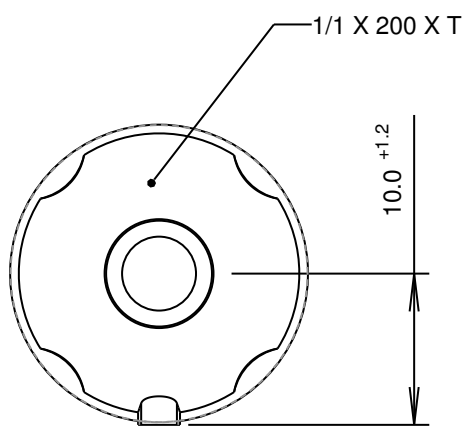
SCALE
2:1

CARCLO PART No.
10196

SIZE
A4

CARCLO DRG. No.
60461

SHEET
1 OF 1



- NOTES:
1. MATERIAL - UV STABILISED POLYCARBONATE
2. INCLUSIONS SPECIFIED TO BS4301