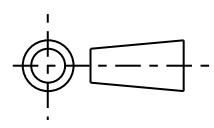


ISS.	DATE	E.C.N.	DESCRIPTION
2	15-Jan-07	1/07/1199	EJECTOR SIZE INCREASED

© 2007 CARCLO
ALL DIMENSIONS IN mm



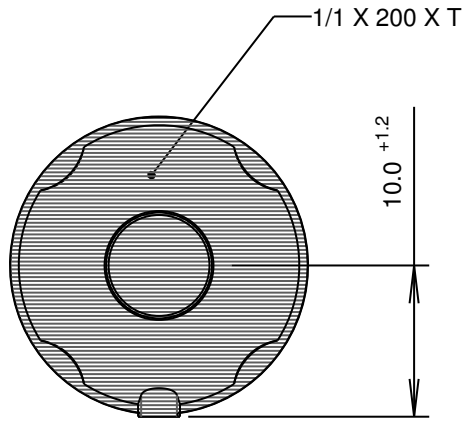
CARCLO TECHNICAL PLASTICS (SLOUGH)
111 BUCKINGHAM AVE, SLOUGH
SL1 4PF, ENGLAND
TEL: +44 1753 575011 FAX: +44 1753 811359
e-mail: design@carclo-optics.com}

CUSTOMER DRAWING

- NOTES:
1. MATERIAL - UV STABILISED POLYCARBONATE
2. INCLUSIONS SPECIFIED TO BS4301

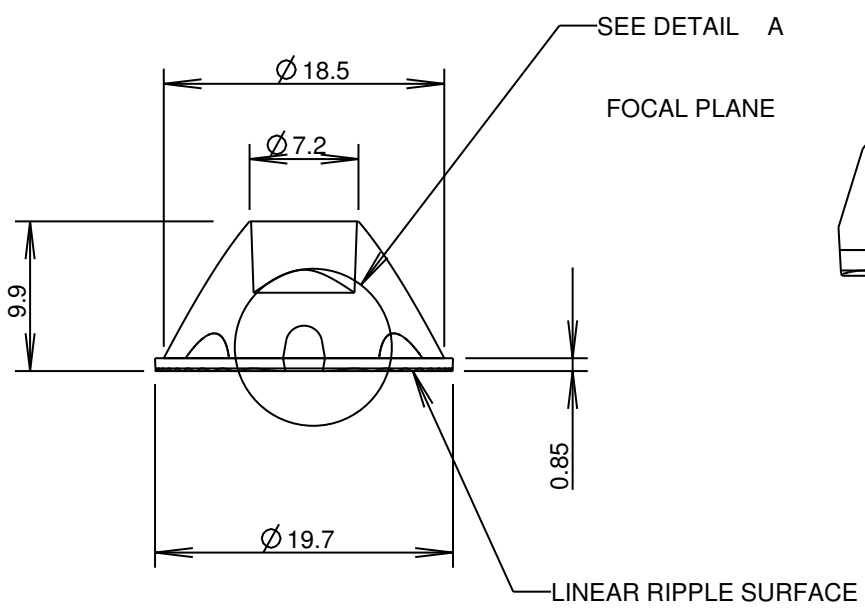
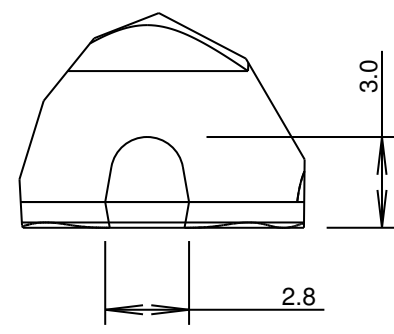
GENERAL TOLERANCES (UNLESS STATED)

LINEAR	ANGULAR
X +/- 0.25	X +/- 1°
X.X +/- 0.1	X.X +/- 0.5°
X.XX +/- 0.05	X.XX +/- 0.1°



3D VIEW
SCALE 1:1

DETAIL A
SCALE 4:1



CUSTOMER

CARCLO

TITLE

LINEAR 0.8MM OFFSET FOCUS
20 MM DIAMETER OPTIC

DRAWN

AJD

DATE

17-Aug-06

CHK'D

DATE

APP'D

DATE

SCALE

2:1

CARCLO PART No.

10197

SIZE

A4

CARCLO DRG. No.

60432

SHEET

1 OF 1