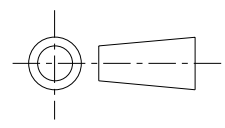


ISS.	DATE	E.C.N.	DESCRIPTION
1	17-Aug-06		FIRST ISSUE

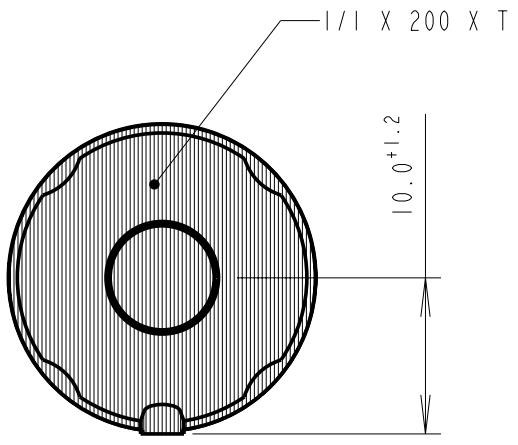
© 2006 CARCLO  
ALL DIMENSIONS IN mm



**CARCLO TECHNICAL PLASTICS (SLOUGH)**  
111 BUCKINGHAM AVE, SLOUGH  
SL1 4PF, ENGLAND  
TEL: +44 1753 575011 FAX: +44 1753 811359  
e-mail: design@carclo-optics.com

- NOTES:  
1. MATERIAL - UV STABILISED POLYCARBONATE  
2. INCLUSIONS SPECIFIED TO BS4301

**CUSTOMER DRAWING**



3D VIEW  
SCALE 1:1

**GENERAL TOLERANCES (UNLESS STATED)**

LINEAR	ANGULAR
X +/- 0.25	X +/- 1°
X.X +/- 0.1	X.X +/- 0.5°
X.XX +/- 0.05	X.XX +/- 0.1°

**CUSTOMER**

CARCLO

**TITLE**

ORTHOGONAL LINEAR 0.8MM  
OFFSET FOCUS 20MM DIA OPTIC

**DRAWN**

AJD

**DATE**

17-Aug-06

**CHK'D**

**DATE**

**APP'D**

**DATE**

**SCALE**

2:1

**CARCLO PART No.**

10198

**SIZE**

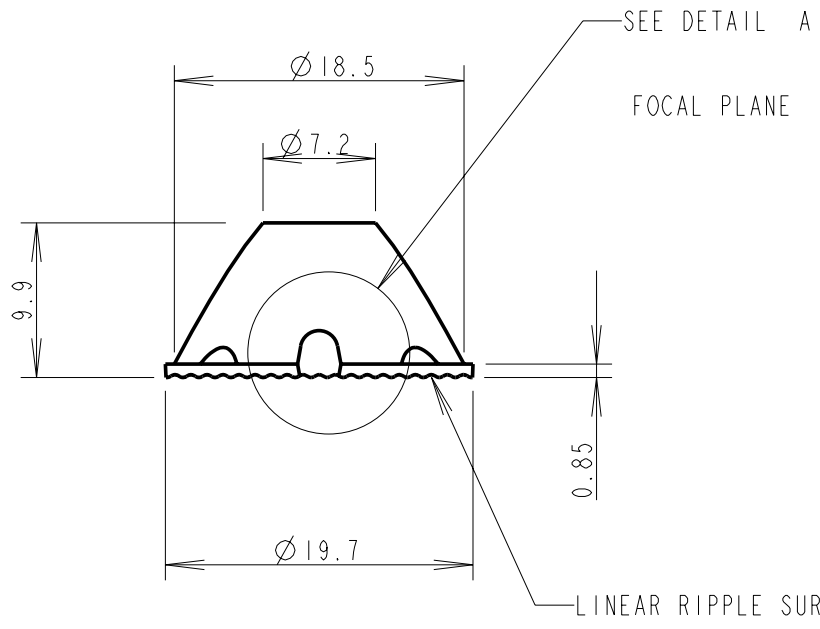
A4

**CARCLO DRG. No.**

60433

**SHEET**

2 OF 2



DETAIL A  
SCALE 4:1

