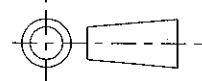


ISS.	DATE	E.C.N.	DESCRIPTION
1	17-Aug-06		FIRST ISSUE
1A	26-Jan-11	10/09/1254	DIM. TOLLERANCES CHANGED + NOTE ADDED + SEC. A-A ADDED

© 2010 CTP-COIL
ALL DIMENSIONS IN mm



CARCLO TECHNICAL PLASTICS (SLOUGH)
111 BUCKINGHAM AVE, SLOUGH
SL1 4PF, ENGLAND
TEL: +44 1753 575011 FAX: +44 1753 811359
e-mail: design@carclo-optics.com}

CUSTOMER DRAWING

- NOTES:
1. MATERIAL - UV STABILISED POLYCARBONATE
2. INCLUSIONS SPECIFIED TO BS4301

GENERAL TOLERANCES (UNLESS STATED)

LINEAR	ANGULAR
X +/- 0.25	X +/- 1°
X.X +/- 0.1	X.X +/- 0.5°
X.XX +/- 0.05	X.XX +/- 0.1°

CUSTOMER

CARCLO

TITLE

LINEAR 1.4MM OFFSET FOCUS
20 MM DIA OPTIC

DRAWN

AJD

DATE

17-Aug-06

CHK'D

DATE

APP'D

DATE

SCALE

2:1

CARCLO PART No.

10203

SIZE

A4

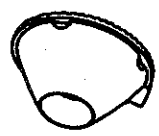
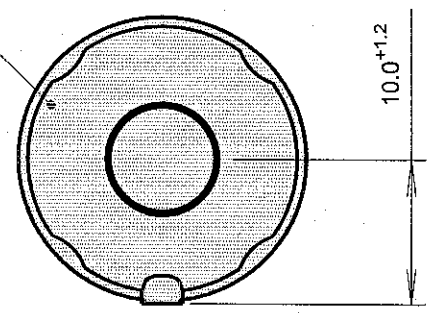
CARCLO DRG. No.

60436

SHEET

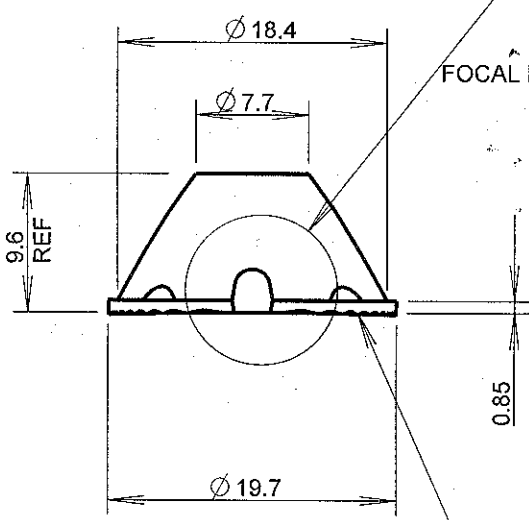
2 OF 2

1/1 X 200 X T

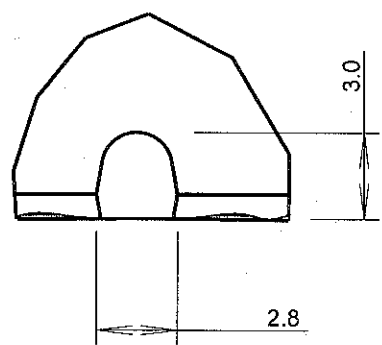


3D VIEW
SCALE 1:1

SEE DETAIL A



DETAIL A
SCALE 4:1



LINEAR RIPPLE