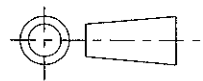


| ISS. | DATE | E.C.N. | DESCRIPTION |
|------|-----------|------------|---|
| 1 | 17-Aug-06 | | FIRST ISSUE |
| 1a | 26-Jan-11 | 10/09/1254 | DIM. TOLLERANCES CHANGED + NOTE ADDED + SEC. B-B ADDED |

© 2010 CTP-COIL
ALL DIMENSIONS IN mm



CUSTOMER DRAWING



CARCLO TECHNICAL PLASTICS (SLOUGH)
111 BUCKINGHAM AVE, SLOUGH
SL1 4PF, ENGLAND
TEL: +44 1753 575011 FAX: +44 1753 811359
e-mail: design@carclo-optics.com

GENERAL TOLERANCES (UNLESS STATED)

| LINEAR | ANGULAR |
|---------------|---------------|
| X +/- 0.25 | X +/- 1° |
| X.X +/- 0.1 | X.X +/- 0.5° |
| X.XX +/- 0.05 | X.XX +/- 0.1° |

CUSTOMER

CARCLO

TITLE

ORTHO LINEAR 1.4MM OFFSET
FOCUS 20 MM DIA OPTIC

DRAWN

AJD

DATE

17-Aug-06

CHK'D

DATE

APP'D

DATE

SCALE

2:1

CARCLO PART No.

10204

SIZE

A4

CARCLO DRG. No.

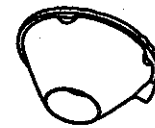
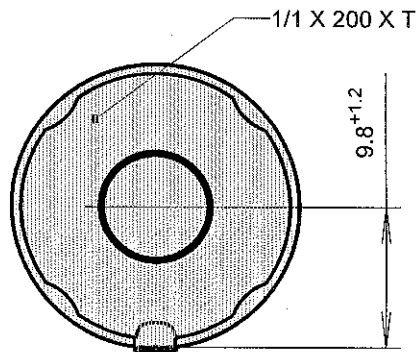
60437

SHEET

2 OF 2

NOTES:

- MATERIAL - UV STABILISED POLYCARBONATE
- INCLUSIONS SPECIFIED TO BS4301



3D VIEW
SCALE 1:1

DETAIL A
SCALE 4:1

