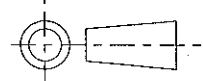


ISS.	DATE	E.C.N.	DESCRIPTION
1	17-Aug-06		FIRST ISSUE
1A	26-Jan-11	10/09/1254	DIM. TOLLERANCES CHANGED + NOTE ADDED

© 2010 CTP-COIL
ALL DIMENSIONS IN mm



CUSTOMER DRAWING



CARCLO TECHNICAL PLASTICS (SLOUGH)
111 BUCKINGHAM AVE, SLOUGH
SL1 4PF, ENGLAND
TEL: +44 1753 575011 FAX: +44 1753 811359
e-mail: design@carclo-optics.com

GENERAL TOLERANCES (UNLESS STATED)

LINEAR	ANGULAR
X +/- 0.25	X +/- 1°
X.X +/- 0.1	X.X +/- 0.5°
X.XX +/- 0.05	X.XX +/- 0.1°

CUSTOMER

CARCLO

TITLE

MEDIUM CIRCULAR 1.4MM
OFFSET FOCUS 20MM DIA OPTIC

DRAWN AJD DATE 17-Aug-06

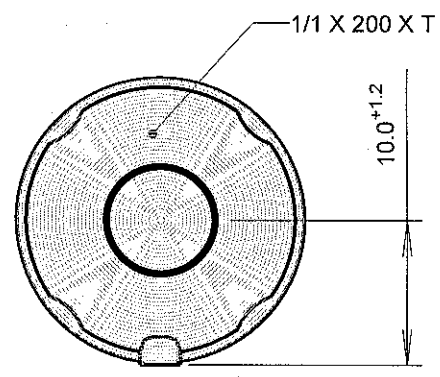
CHK'D DATE

APP'D DATE

SCALE 2:1 CARCLO PART No. 10210

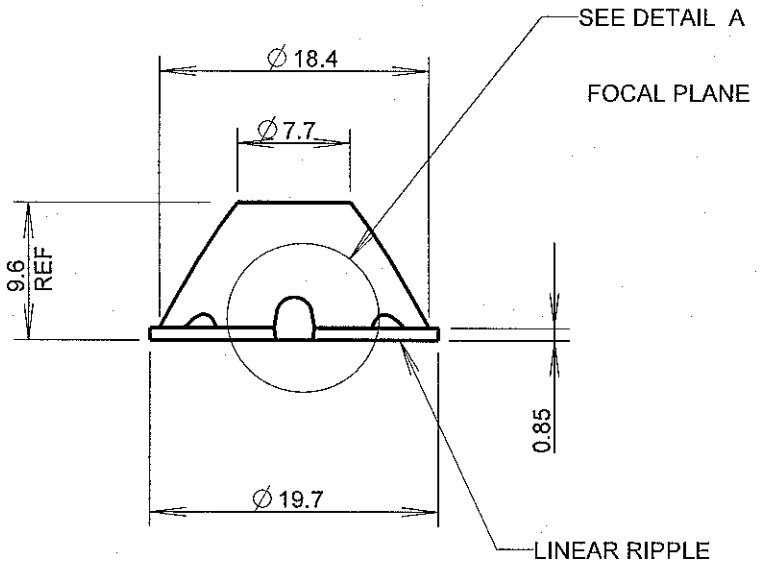
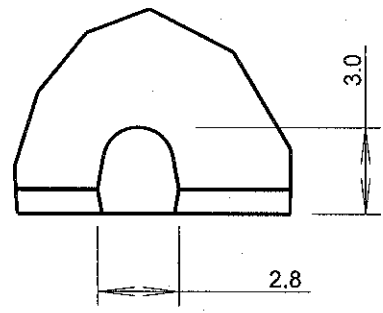
SIZE A4 CARCLO DRG. No. 60438 SHEET 2 OF 2

- NOTES:
1. MATERIAL - UV STABILISED POLYCARBONATE
2. INCLUSIONS SPECIFIED TO BS4301



3D VIEW
SCALE 1:1

DETAIL A
SCALE 4:1



	A	B	C	D	E	F	G
1	ISS. DATE E.C.N. DESCRIPTION			© 2010 CTP-COIL ALL DIMENSIONS IN mm		carclo technical plastics	
1	1A 26-Jan-11 10/09/1254 DIM. TOLLERANCES CHANGED + NOTE ADDED			CUSTOMER DRAWING		CARCLO TECHNICAL PLASTICS (SLOUGH) 111 BUCKINGHAM AVE, SLOUGH SL1 4PF, ENGLAND TEL: +44 1753 575011 FAX: +44 1753 811359 e-mail: design@carclo-optics.com	
2	NOTES: 1. MATERIAL - UV STABILISED POLYCARBONATE 2. INCLUSIONS SPECIFIED TO BS4301			3D VIEW SCALE 1:1		GENERAL TOLERANCES (UNLESS STATED)	
3	1/1 X 200 X T 10.0 +/- 0.12			DETAIL A SCALE 4:1		CUSTOMER CARCLO	
4	SEE DETAIL A FOCAL PLANE			3.0		TITLE MEDIUM CIRCULAR 1.4MM OFFSET FOCUS 20MM DIA OPTIC	
5	9.6 REF 0.85 LINEAR RIPPLE			2.8		DRAWN AJD DATE 17-Aug-06	
	Ø 18.4 Ø 7.7 Ø 19.7					CHK'D DATE	
						APP'D DATE	
						SCALE 2:1 CARCLO PART No. 10210	
						SIZE A4 CARCLO DRG. No. 60438 SHEET 2 OF 2	
	A	B	C	D	E	F	G