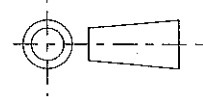


ISS.	DATE	E.C.N.	DESCRIPTION
1	17-Aug-06		FIRST ISSUE
1A	26-Jan-11	10/09/1254	DIM. TOLLERANCES CHANGED + NOTE ADDED

© 2010 CTP-COIL
ALL DIMENSIONS IN mm

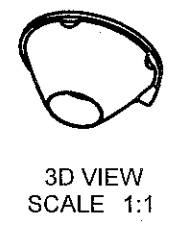
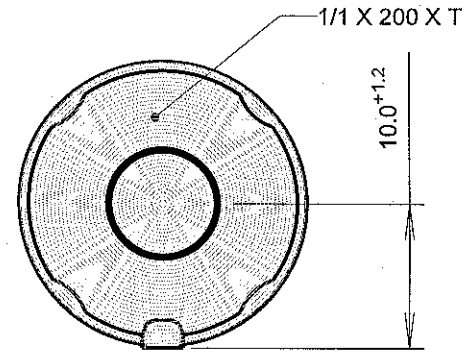


CUSTOMER DRAWING



CARCLO TECHNICAL PLASTICS (SLOUGH)
111 BUCKINGHAM AVE, SLOUGH
SL1 4PF, ENGLAND
TEL: +44 1753 575011 FAX: +44 1753 811359
e-mail: design@carclo-optics.com}

- NOTES:
1. MATERIAL - UV STABILISED POLYCARBONATE
2. INCLUSIONS SPECIFIED TO BS4301



GENERAL TOLERANCES (UNLESS STATED)

LINEAR	ANGULAR
X +/- 0.25	X +/- 1°
X.X +/- 0.1	X.X +/- 0.5°
X.XX +/- 0.05	X.XX +/- 0.1°

CUSTOMER
CARCLO

TITLE
**WIDE CIRCULAR 14MM
OFFSET FOCUS 20MM DIA OPTIC**

DRAWN **AJD** DATE **17-Aug-06**

CHK'D _____ DATE _____

APP'D _____ DATE _____

SCALE **2:1** CARCLO PART No. **10211**

SIZE **A4** CARCLO DRG. No. **60439** SHEET **2 OF 2**

