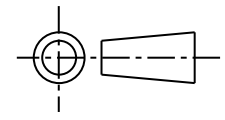


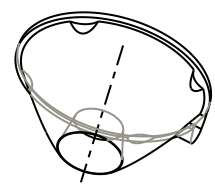
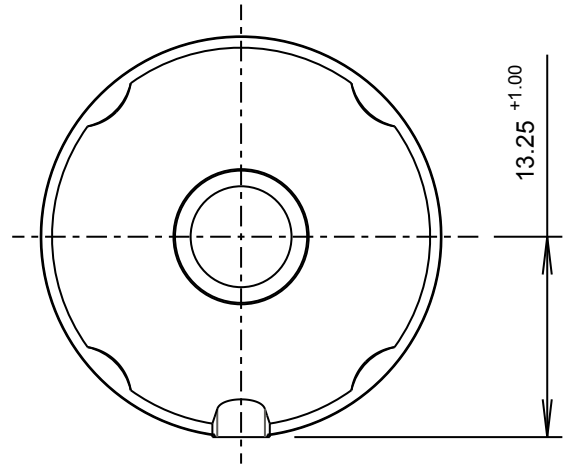
ISS.	DATE	E.C.N.	DESCRIPTION
1	19-Nov-08		FIRST RELEASE

© 2006 CARCLO
ALL DIMENSIONS IN mm



CARCLO TECHNICAL PLASTICS (SLOUGH) LTD.
111 BUCKINGHAM AVE, SLOUGH
SL1 4PF, ENGLAND
TEL: +44 1753 575011 FAX: +44 1753 811359
e-mail: design@ctcoil.co.uk}

CUSTOMER DRAWING



SCALE 1:1
GENERAL VIEW

GENERAL TOLERANCES (UNLESS STATED)

LINEAR	ANGULAR
X +/- 0.25	X +/- 1°
X.X +/- 0.1	X.X +/- 0.5°
X.XX +/- 0.05	X.XX +/- 0.1°

CUSTOMER

TITLE

26.5mm OPTIC 0.8mm OFFSET
WIDE FROSTED

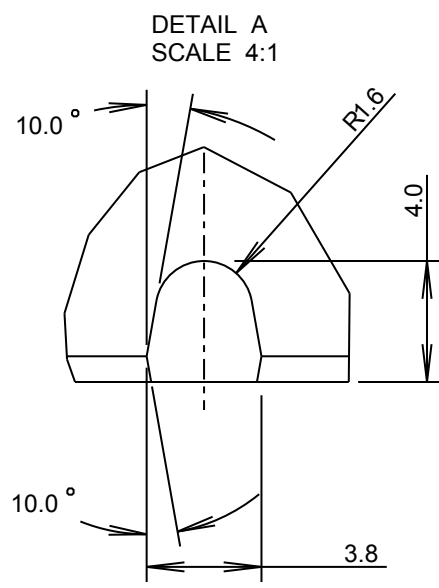
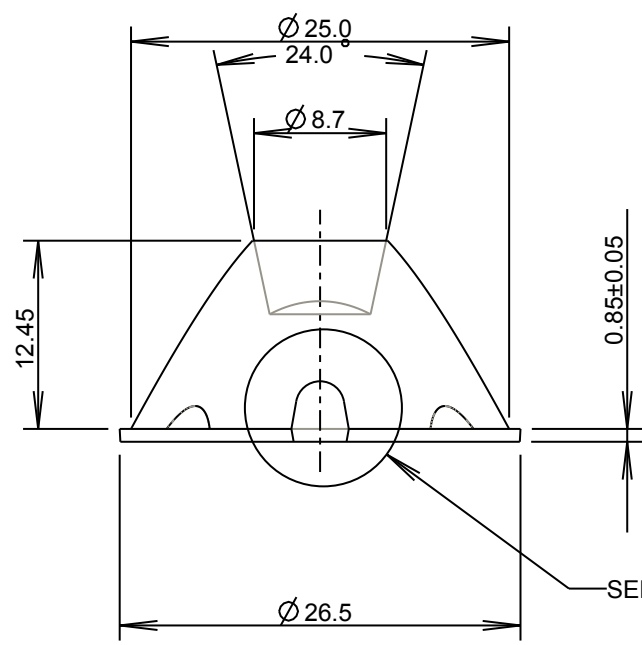
DRAWN M.B. DATE 19-Nov-08

CHK'D DATE

APP'D DATE

SCALE 2:1 COIL PART No. 10394

SIZE A4 COIL DRG. No. 60510 SHEET 1 OF 1



DETAIL A
SCALE 4:1

MATERIAL: POLYCARBONATE

SEE DETAIL A