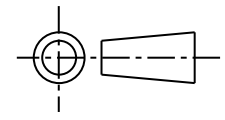


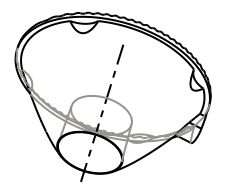
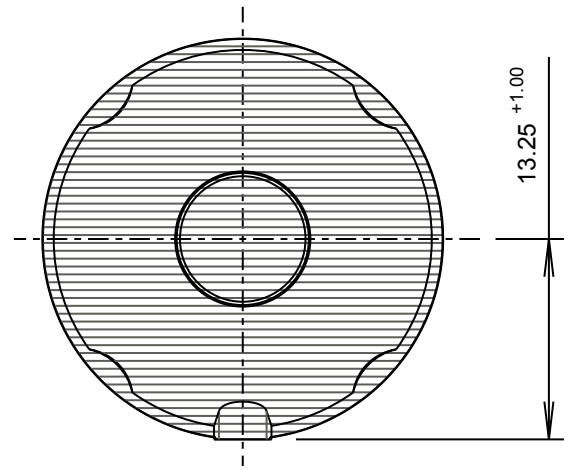
ISS.	DATE	E.C.N.	DESCRIPTION
1	19-Aug-08		FIRST RELEASE

© 2006 CARCLO
ALL DIMENSIONS IN mm



CARCLO TECHNICAL PLASTICS (SLOUGH) LTD.
111 BUCKINGHAM AVE, SLOUGH
SL1 4PF, ENGLAND
TEL: +44 1753 575011 FAX: +44 1753 811359
e-mail: design@ctpcoil.co.uk}

CUSTOMER DRAWING



SCALE 1:1
GENERAL VIEW

GENERAL TOLERANCES (UNLESS STATED)

LINEAR	ANGULAR
X +/- 0.25	X +/- 1°
X.X +/- 0.1	X.X +/- 0.5°
X.XX +/- 0.05	X.XX +/- 0.1°

CUSTOMER
CARCLO

TITLE
26.5mm LED OPTIC 0.8mm OFFSET ELLIPTICAL

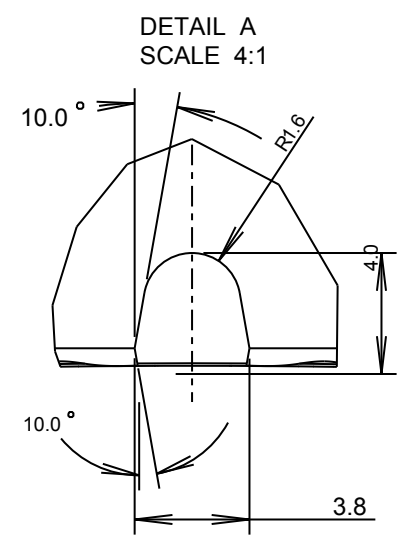
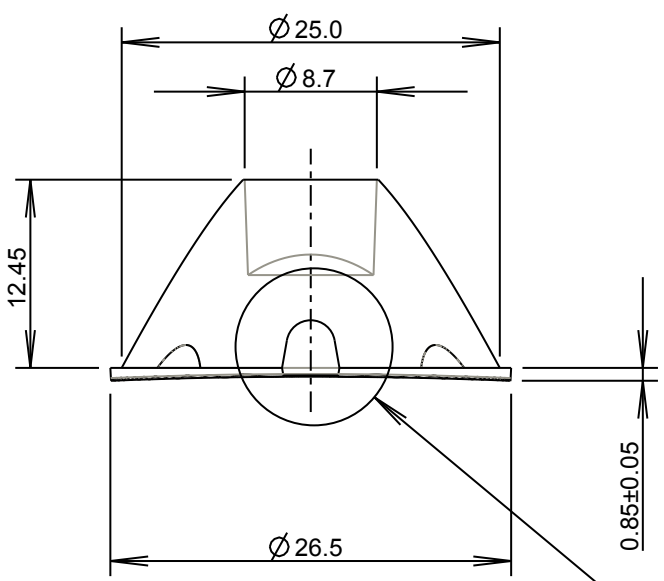
DRAWN M.B. DATE 19-Aug-08

CHK'D DATE

APP'D DATE

SCALE	COIL PART No.
2:1	10395

SIZE	COIL DRG. No.	SHEET
A4	60538	1 OF 1



DETAIL A
SCALE 4:1

MATERIAL: POLYCARBONATE