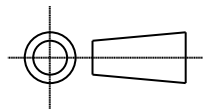
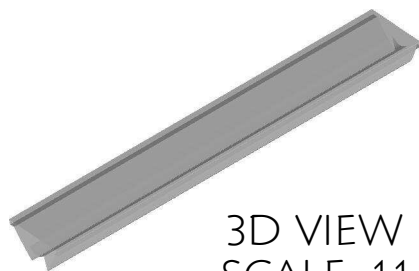
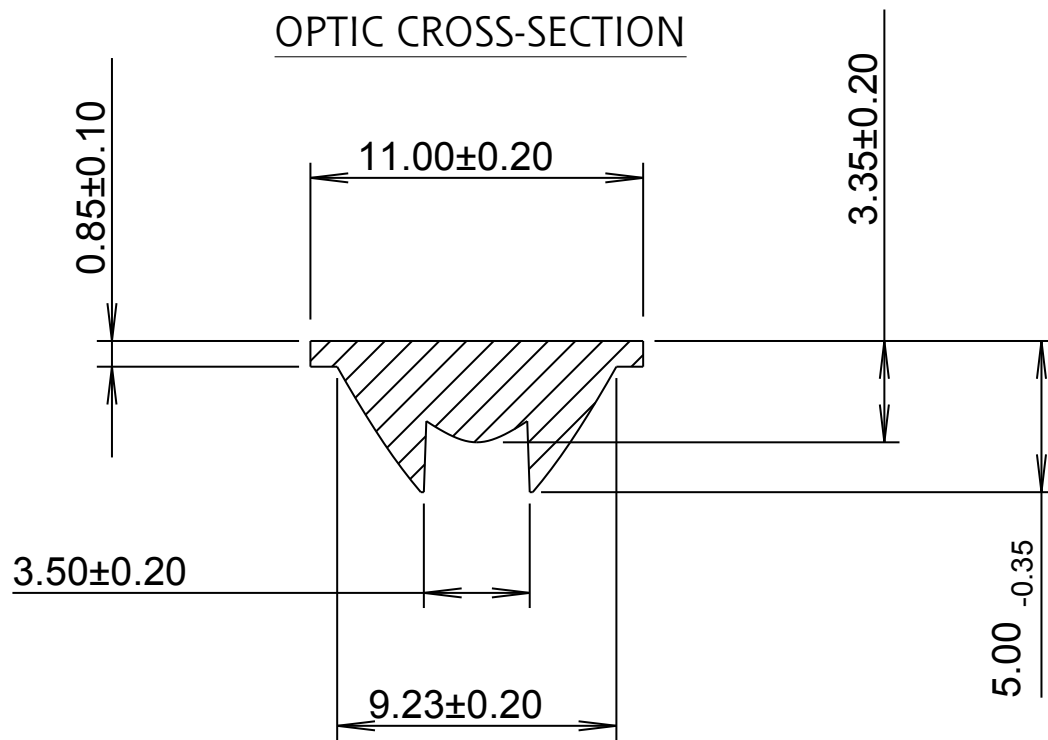


ISS.	DATE	E.C.N.	DESCRIPTION
3	26-June-09	06/09/1247	PART NO. BOX ADDED

© 2008 CARCLO
ALL DIMENSIONS IN mm



CUSTOMER DRAWING
OPTIC CROSS-SECTION



3D VIEW
SCALE 1:1

MATERIAL: POLYCARBONATE

PART NO.	LENGTH (mm)
10397	1200
10398	300



CARCLO TECHNICAL PLASTICS (SLOUGH)
111 BUCKINGHAM AVE, SLOUGH
SL1 4PF, ENGLAND
TEL: +44 1753 575011 FAX: +44 1753 811359
e-mail: design@carclo-optics.com}

GENERAL TOLERANCES (UNLESS STATED)

LINEAR	ANGULAR
X +/- 0.25	X +/- 1°
X.X +/- 0.1	X.X +/- 0.5°
X.XX +/- 0.05	X.XX +/- 0.1°

CUSTOMER

CARCLO

TITLE

CONTINUOUS STRIP OPTIC
11 MM WIDE

DRAWN

AJD

DATE

13-Nov-07

CHK'D

DATE

APP'D

DATE

SCALE

4:1

CARCLO PART No.

SEE TABLE

SIZE

A4

CARCLO DRG. No.

60547

SHEET

1 OF 1