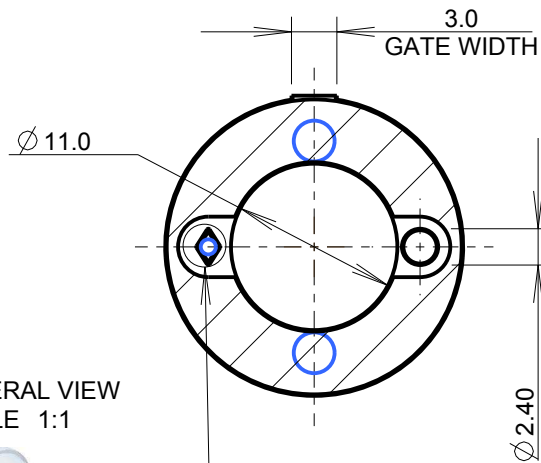
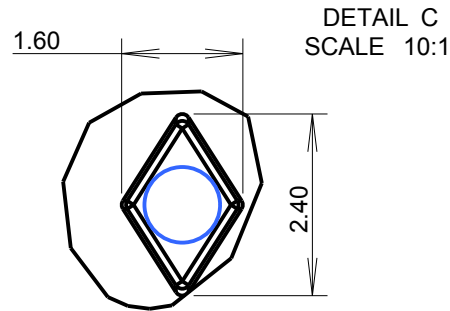
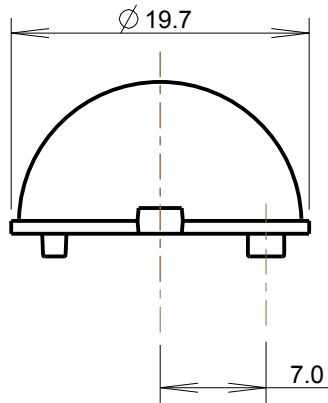


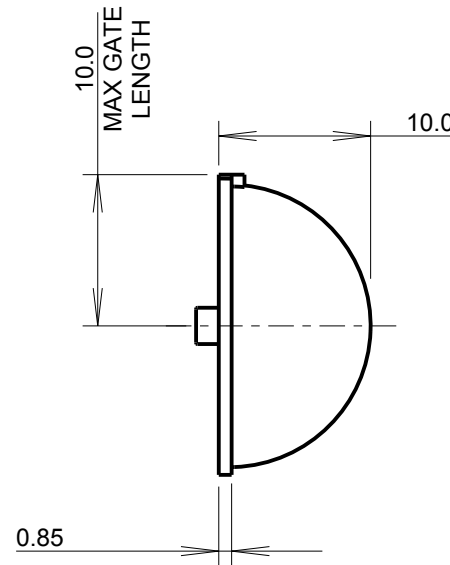
| ISS. | DATE      | E.C.N. | DESCRIPTION |
|------|-----------|--------|-------------|
| 1    | 10-Apr-08 |        | FIRST ISSUE |

## CUSTOMER DRAWING

SCALE 2:1



DIAMOND DOWEL  
SEE DETAIL C



MATERIAL: POLYCARBONATE

CARCLO TECHNICAL PLASTICS (SLOUGH)  
111 BUCKINGHAM AVE, SLOUGH  
SL1 4PF, ENGLAND

TEL: +44 1753 575011 FAX: +44 1753 811359  
e-mail: design@carclo-optics.com}

GENERAL TOLERANCES (UNLESS STATED)

| LINEAR        | ANGULAR       |
|---------------|---------------|
| X +/- 0.25    | X +/- 1°      |
| X.X +/- 0.1   | X.X +/- 0.5°  |
| X.XX +/- 0.05 | X.XX +/- 0.1° |

CUSTOMER

CARCLO

TITLE

120 DEGREE LED  
BUBBLE OPTIC

DRAWN

AJD

DATE

10-Apr-08

CHK'D

MB

DATE

10-Apr-08

APP'D

AJD

DATE

10-Apr-08

SCALE

2:1

CARCLO PART No.

10403

SIZE

A4

CARCLO DRG. No.

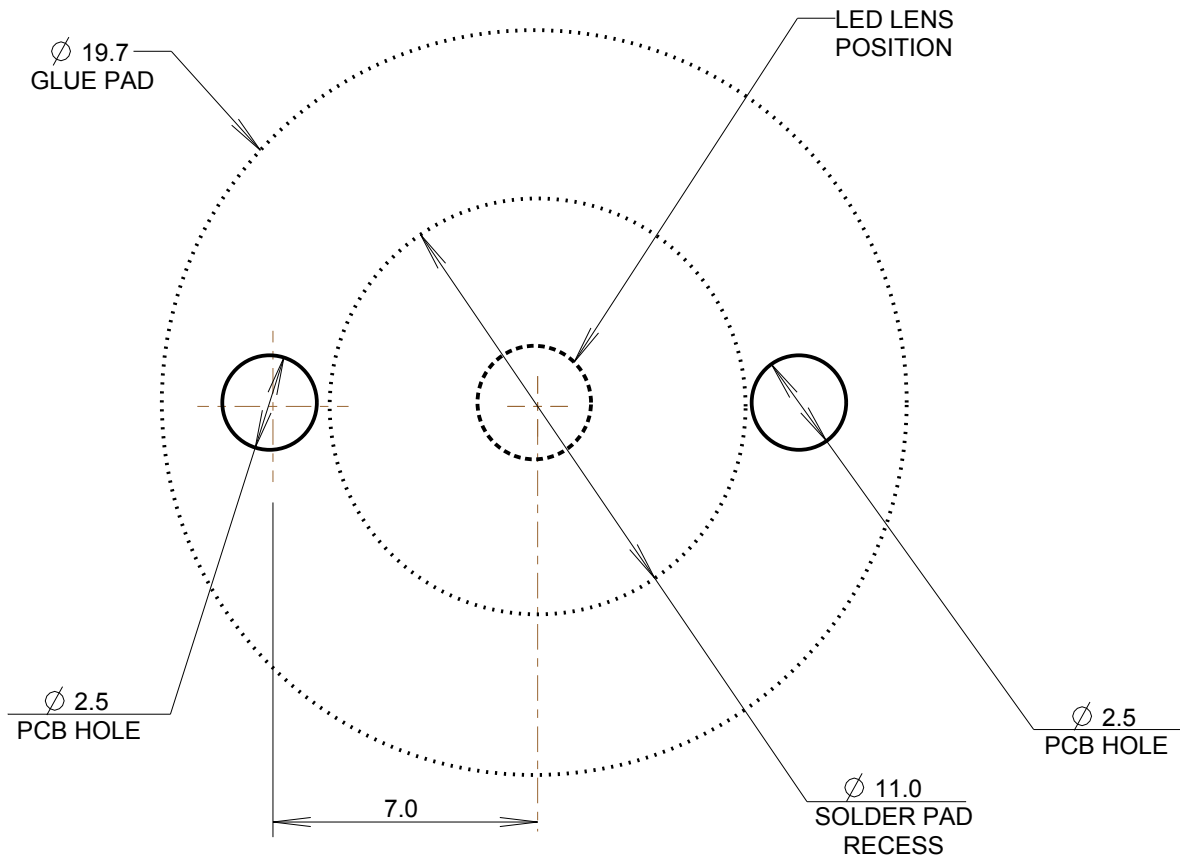
60521

SHEET

1 OF 2

| ISS. | DATE      | E.C.N. | DESCRIPTION |
|------|-----------|--------|-------------|
| 1    | 10-Apr-08 |        | FIRST ISSUE |

## PCB GLUE PAD AND ALIGNMENT HOLE LAYOUT DIMENSIONS



NOTE: THE CLOSEST THAT TWO OR MORE LENSES CAN BE PLACED TOGETHER WITHOUT OBSCURATION IS 27MM BETWEEN CENTRES.

| <p>CARCLO TECHNICAL PLASTICS (SLOUGH)<br/>111 BUCKINGHAM AVE, SLOUGH<br/>SL1 4PF, ENGLAND<br/>TEL: +44 1753 575011 FAX: +44 1753 811359<br/>e-mail: design@carclo-optics.com}</p>  |                 |           |        |         |            |          |             |              |               |               |
|--|-----------------|-----------|--------|---------|------------|----------|-------------|--------------|---------------|---------------|
| <p>GENERAL TOLERANCES (UNLESS STATED)</p> <table style="margin: auto; border: none;"> <thead> <tr> <th style="text-align: left;">LINEAR</th> <th style="text-align: left;">ANGULAR</th> </tr> </thead> <tbody> <tr> <td>X +/- 0.25</td> <td>X +/- 1°</td> </tr> <tr> <td>X.X +/- 0.1</td> <td>X.X +/- 0.5°</td> </tr> <tr> <td>X.XX +/- 0.05</td> <td>X.XX +/- 0.1°</td> </tr> </tbody> </table> |                 |           | LINEAR | ANGULAR | X +/- 0.25 | X +/- 1° | X.X +/- 0.1 | X.X +/- 0.5° | X.XX +/- 0.05 | X.XX +/- 0.1° |
| LINEAR   | ANGULAR         |           |        |         |            |          |             |              |               |               |
| X +/- 0.25   | X +/- 1°        |           |        |         |            |          |             |              |               |               |
| X.X +/- 0.1  | X.X +/- 0.5°    |           |        |         |            |          |             |              |               |               |
| X.XX +/- 0.05  | X.XX +/- 0.1°   |           |        |         |            |          |             |              |               |               |
| <p>CUSTOMER</p> <p style="text-align: center; font-size: 1.2em;">CARCLO</p>  |                 |           |        |         |            |          |             |              |               |               |
| <p>TITLE</p> <p style="text-align: center; font-size: 1.2em;">120 DEGREE LED<br/>BUBBLE OPTIC</p>  |                 |           |        |         |            |          |             |              |               |               |
| DRAWN  | DATE            | 10-Apr-08 |        |         |            |          |             |              |               |               |
| AJD  |                 |           |        |         |            |          |             |              |               |               |
| CHK'D  | DATE            | 10-Apr-08 |        |         |            |          |             |              |               |               |
| MB   |                 |           |        |         |            |          |             |              |               |               |
| APP'D  | DATE            | 10-Apr-08 |        |         |            |          |             |              |               |               |
| AJD  |                 |           |        |         |            |          |             |              |               |               |
| SCALE  | CARCLO PART No. |           |        |         |            |          |             |              |               |               |
| 5:1  | 10403           |           |        |         |            |          |             |              |               |               |
| SIZE   | CARCLO DRG. No. | SHEET     |        |         |            |          |             |              |               |               |
| A4   | 60521           | 2 OF 2    |        |         |            |          |             |              |               |               |