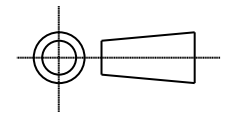


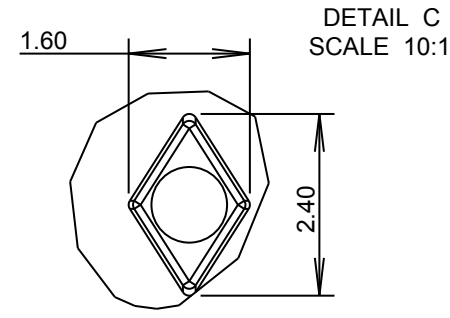
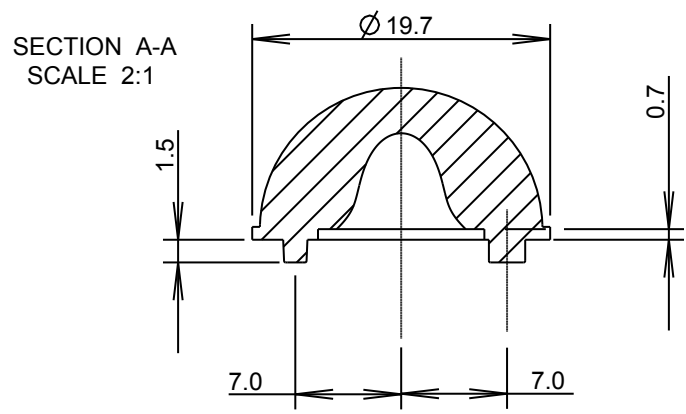
ISS.	DATE	E.C.N.	DESCRIPTION
2	25-Feb-09		INNER CURVE MODIFIED

© 2008 CARCLO
ALL DIMENSIONS IN mm



CARCLO TECHNICAL PLASTICS (SLOUGH)
111 BUCKINGHAM AVE, SLOUGH
SL1 4PF, ENGLAND
TEL: +44 1753 575011 FAX: +44 1753 811359
e-mail: design@carclo-optics.com}

CUSTOMER DRAWING



GENERAL TOLERANCES (UNLESS STATED)

LINEAR	ANGULAR
X +/- 0.25	X +/- 1°
X.X +/- 0.1	X.X +/- 0.5°
X.XX +/- 0.05	X.XX +/- 0.1°

CUSTOMER

CARCLO

TITLE

130 DEGREE LED
BUBBLE OPTIC

DRAWN

AJD

DATE

10-Apr-08

CHK'D

DATE

APP'D

DATE

SCALE

2:1

CARCLO PART No.

10406

SIZE

A4

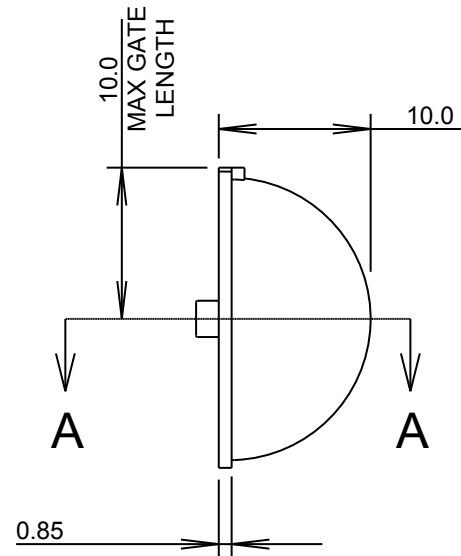
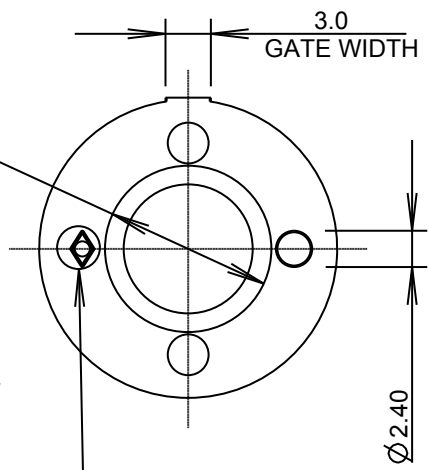
CARCLO DRG. No.

60505

SHEET

1 OF 2

3D GENERAL VIEW
SCALE 1:1

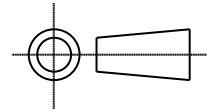


DIAMOND DOWEL
SEE DETAIL C

MATERIAL: POLYCARBONATE

ISS.	DATE	E.C.N.	DESCRIPTION
2	25-Feb-09		INNER CURVE MODIFIED

© 2008 CARCLO
ALL DIMENSIONS IN mm



CARCLO TECHNICAL PLASTICS (SLOUGH)
111 BUCKINGHAM AVE, SLOUGH
SL1 4PF, ENGLAND
TEL: +44 1753 575011 FAX: +44 1753 811359
e-mail: design@carclo-optics.com}

PCB GLUE PAD AND ALIGNMENT HOLE LAYOUT DIMENSIONS

GENERAL TOLERANCES (UNLESS STATED)

LINEAR	ANGULAR
X +/- 0.25	X +/- 1°
X.X +/- 0.1	X.X +/- 0.5°
X.XX +/- 0.05	X.XX +/- 0.1°

CUSTOMER

CARCLO

TITLE

130 DEGREE LED
BUBBLE OPTIC

DRAWN

AJD

DATE

10-Apr-08

CHK'D

DATE

APP'D

DATE

SCALE

5:1

CARCLO PART No.

10406

SIZE

A4

CARCLO DRG. No.

60505

SHEET

2 OF 2

Ø 19.7
GLUE PAD

LED LENS
POSITION

Ø 2.5
PCB HOLE

Ø 2.5
PCB HOLE

Ø 11.0
SOLDER PAD
RECESS

7.0

NOTE: THE CLOSEST THAT TWO OR MORE LENSES CAN BE PLACED
TOGETHER WITHOUT OBSCURATION IS 27MM BETWEEN CENTRES.