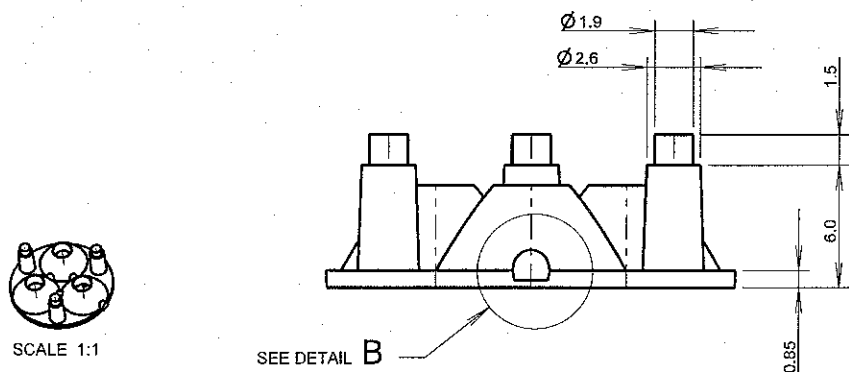
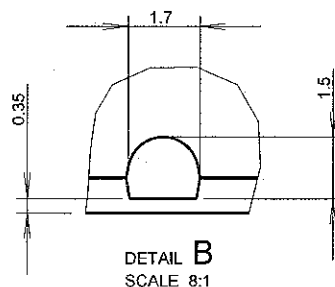
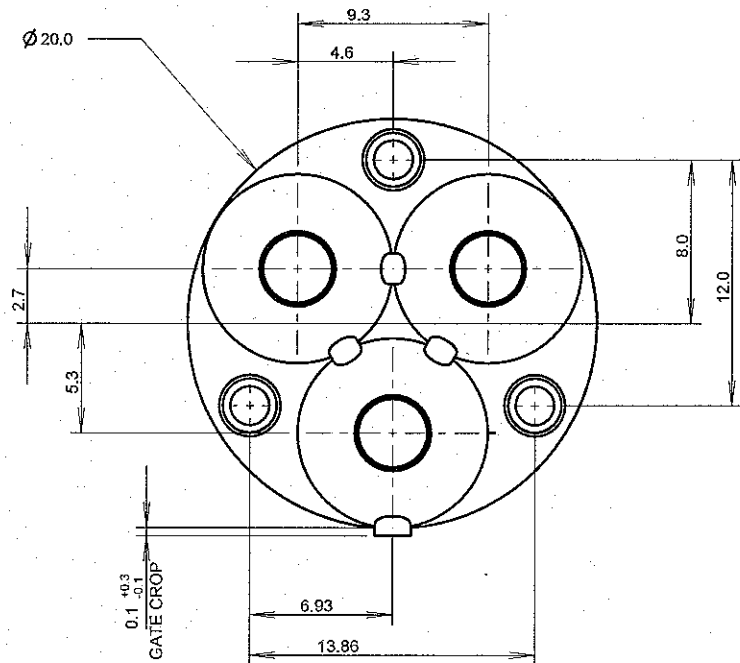


# CUSTOMER DRAWING

©2011 CTP-COIL  
ALL DIMENSIONS IN mm



MATERIAL - UV STABILISED CLEAR POLYCARBONATE

ISS.	DATE	E.C.N.	DESCRIPTION
1	30-Apr-08		FIRST ISSUE
2	18-Jun-08		GATE SIZE INCREASED
3	12-Nov-08	10/08/1233	LEG PIN LENGTH REDUCED TO 15MM
3A	10-Aug-11	08/11/1306	Gate tolerance updated



technical plastics

CARCLO TECHNICAL PLASTICS (SLOUGH)  
103 BUCKINGHAM AVE, SLOUGH  
SL1 4PF, ENGLAND

TEL: +44 1753 575011 FAX: +44 1753 811359  
email: design@carclo-optics.com

GENERAL TOLERANCES (UNLESS STATED)

LINEAR	ANGULAR
X $\pm 0.25$	X $\pm 1^\circ$
XX $\pm 0.1$	XX $\pm 0.5^\circ$
X.XX $\pm 0.05$	X.XX $\pm 0.1^\circ$

CUSTOMER

CARCLO

TITLE

10mm TRIPLE OPTIC SPOT

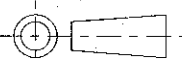
DRAWN M.K. DATE 30-Apr-08

CHK'D PW DATE 10-Aug-11

APP'D BB DATE 10-Aug-11

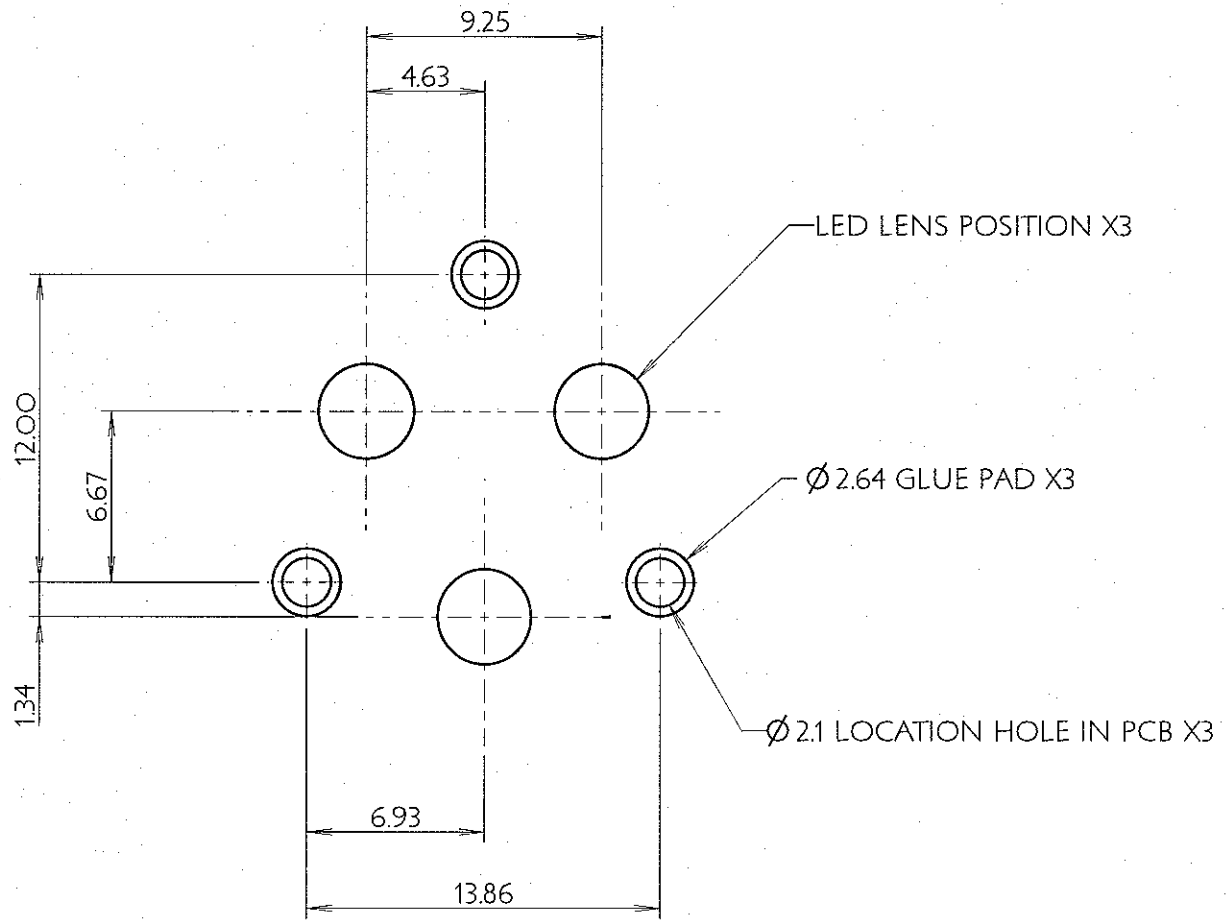
SCALE 4:1 COIL PART No. 10507

SIZE A3 COIL DRG. No. 60522 SHEET 2 OF 3



©2011 CTP-COIL  
ALL DIMENSIONS IN mm

### PCB HOLE & GLUE PAD LOCATION



ISS.	DATE	E.C.N.	DESCRIPTION
1	30-Apr-08		FIRST ISSUE
2	18-Jun-08		GATE SIZE INCREASED
3	12-Nov-08	10/08/1233	LEG PIN LENGTH REDUCED TO 1.5MM
3A	10-Aug-11	108/11/1306	Gate tolerance updated



technical plastics  
**CARCLO TECHNICAL PLASTICS (SLOUGH)**  
 103 BUCKINGHAM AVE, SLOUGH  
 SL1 4PF, ENGLAND  
 TEL: +44 1753 575011 FAX: +44 1753 811359  
 email: design@carclo-optics.com

GENERAL TOLERANCES (UNLESS STATED)

LINEAR	ANGULAR
X +/- 0.25	X +/- 1°
X.X +/- 0.1	X.X +/- 0.5°
X.XX +/- 0.05	X.XX +/- 0.1°

CUSTOMER  
**CARCLO**

TITLE  
**10mm TRIPLE OPTIC SPOT**

DRAWN M.K. DATE 30-Apr-08

CHK'D PW DATE 10-Aug-11

APP'D BB DATE 10-Aug-11

SCALE 5:1 COIL PART No. 10507

SIZE A3 COIL DRG. No. 60522 SHEET 3 OF 3