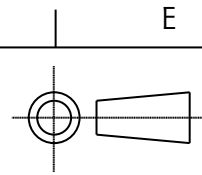


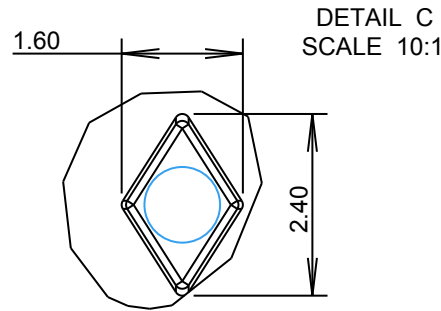
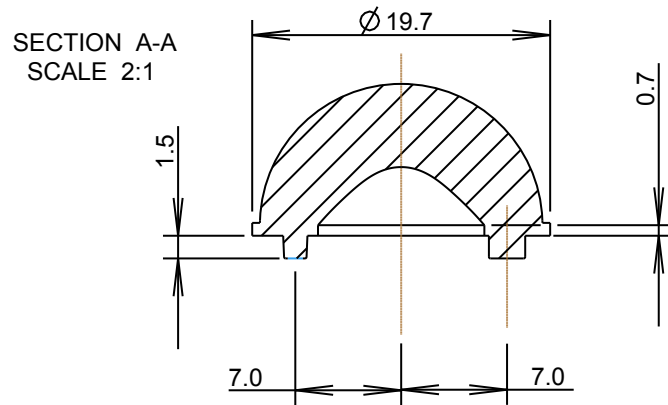
ISS.	DATE	E.C.N.	DESCRIPTION
1	5-Mar-09		FIRST ISSUE

© 2006 CARCLO  
ALL DIMENSIONS IN mm



CARCLO TECHNICAL PLASTICS (SLOUGH)  
111 BUCKINGHAM AVE, SLOUGH  
SL1 4PF, ENGLAND  
TEL: +44 1753 575011 FAX: +44 1753 811359  
e-mail: design@carclo-optics.com}

CUSTOMER DRAWING



GENERAL TOLERANCES (UNLESS STATED)

LINEAR	ANGULAR
X +/- 0.25	X +/- 1°
X.X +/- 0.1	X.X +/- 0.5°
X.XX +/- 0.05	X.XX +/- 0.1°

CUSTOMER

CARCLO

TITLE

DOWNLIGHT  
BUBBLE OPTIC

DRAWN

AJD

DATE

5-Mar-09

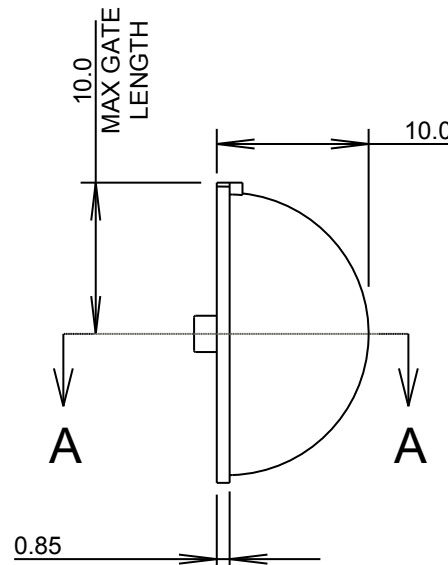
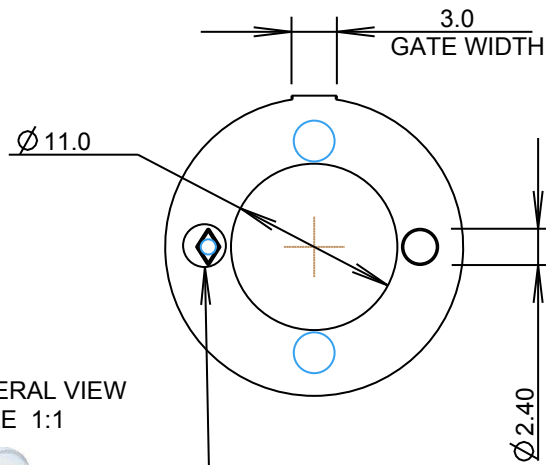
CHK'D

DATE

APP'D

DATE

3D GENERAL VIEW  
SCALE 1:1



MATERIAL: POLYCARBONATE

SCALE

2:1

CARCLO PART No.

10628

SIZE

A4

CARCLO DRG. No.

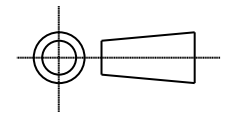
60586

SHEET

1 OF 2

ISS.	DATE	E.C.N.	DESCRIPTION
1	5-Mar-09		FIRST ISSUE

© 2006 CARCLO  
ALL DIMENSIONS IN mm



CARCLO TECHNICAL PLASTICS (SLOUGH)  
111 BUCKINGHAM AVE, SLOUGH  
SL1 4PF, ENGLAND  
TEL: +44 1753 575011 FAX: +44 1753 811359  
e-mail: design@carclo-optics.com}

## PCB GLUE PAD AND ALIGNMENT HOLE LAYOUT DIMENSIONS

### GENERAL TOLERANCES (UNLESS STATED)

LINEAR	ANGULAR
X +/- 0.25	X +/- 1°
X.X +/- 0.1	X.X +/- 0.5°
X.XX +/- 0.05	X.XX +/- 0.1°

CUSTOMER		
CARCLO		
TITLE		
DOWNLIGHT BUBBLE OPTIC		
DRAWN	DATE	
AJD	5-Mar-09	
CHK'D	DATE	
APP'D	DATE	
SCALE	CARCLO PART No.	
5:1	10628	
SIZE	CARCLO DRG. No.	SHEET
A4	60586	2 OF 2

Ø 19.7  
GLUE PAD

LED LENS  
POSITION

Ø 2.5  
PCB HOLE

Ø 2.5  
PCB HOLE

Ø 11.0  
SOLDER PAD  
RECESS

7.0

NOTE: THE CLOSEST THAT TWO OR MORE LENSES CAN BE PLACED TOGETHER WITHOUT OBSCURATION IS 27MM BETWEEN CENTRES.