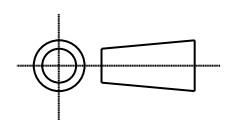


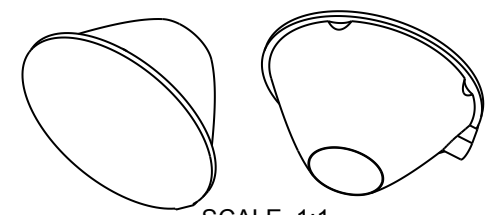
ISS.	DATE	E.C.N.	DESCRIPTION
1	19-Jun-09		FIRST ISSUE

© 2008 CARCLO  
ALL DIMENSIONS IN mm

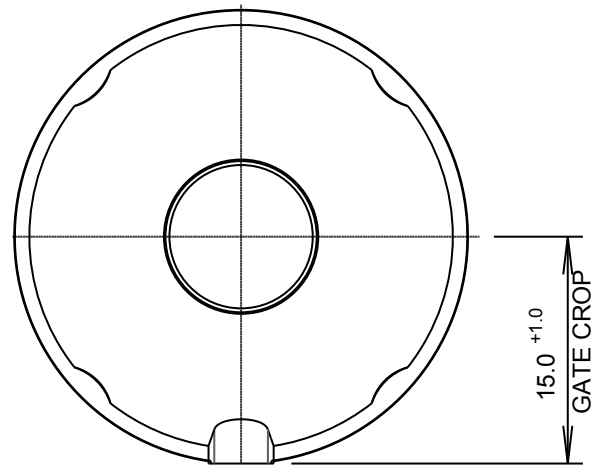


CARCLO TECHNICAL PLASTICS (SLOUGH) LTD.  
111 BUCKINGHAM AVE, SLOUGH  
SL1 4PF, ENGLAND  
TEL: +44 1753 575011 FAX: +44 1753 811359  
e-mail: design@ctpcoil.co.uk}

**CUSTOMER DRAWING**



SCALE 1:1  
GENERAL VIEW



15.0 +1.0  
GATE CROP

GENERAL TOLERANCES (UNLESS STATED)

LINEAR	ANGULAR
X +/- 0.25	X +/- 1°
X.X +/- 0.1	X.X +/- 0.5°
X.XX +/- 0.05	X.XX +/- 0.1°

CUSTOMER

CARCLO

TITLE

30 mm OPTIC 0.6mm OFFSET  
PLAIN & FROSTED

DRAWN

MKI

DATE

19-Jun-09

CHK'D

DATE

APP'D

DATE

SCALE

2:1

COIL PART No.

SEE TABLE

SIZE

A4

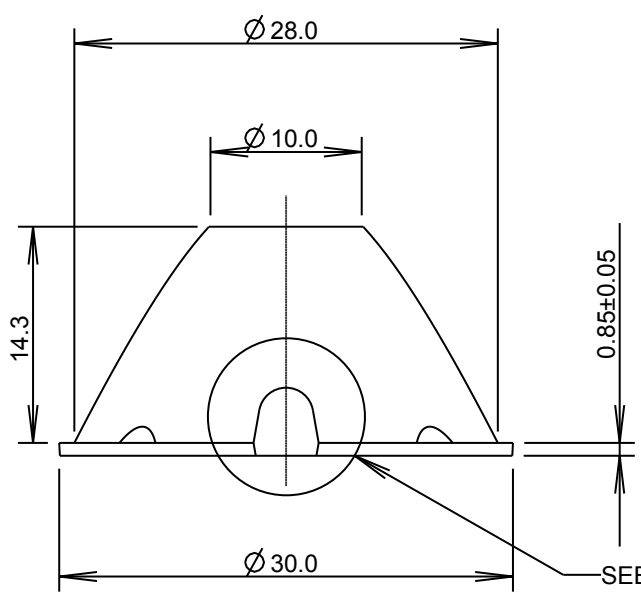
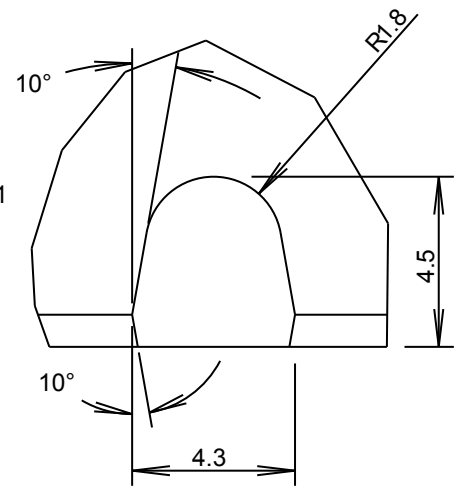
COIL DRG. No.

60578

SHEET

1 OF 1

DETAIL A  
SCALE 5:1



SEE DETAIL A

PART NO.	DESCRIPTION
10755	PLAIN FRONT
10756	NARROW FROSTED
10757	MEDIUM FROSTED

MATERIAL: POLYCARBONATE