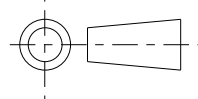


ISS.	DATE	E.C.N.	DESCRIPTION
1	29-Jun-10		FIRST ISSUE
1A	18-Apr-11	04/11/1296	UPDATE DIMENSIONS & NOTES TO STANDARD FORMAT
1B	12-Mar-12	03/12/1331	REDUCE GATE LENGTH FROM 16.0 MM TO 15.0MM

© 2011 CTP-COIL
ALL DIMENSIONS IN mm



CUSTOMER DRAWING



CARCLO TECHNICAL PLASTICS (SLOUGH) LTD.
103 BUCKINGHAM AVE, SLOUGH
SL1 4PF, ENGLAND
TEL: +44 1753 575011 FAX: +44 1753 811359
e-mail: design@carclo-optics.com

GENERAL TOLERANCES (UNLESS STATED)

LINEAR	ANGULAR
X +/- 0.25	X +/- 1°
X.X +/- 0.1	X.X +/- 0.5°
X.XX +/- 0.05	X.XX +/- 0.1°

CUSTOMER

CARCLO

TITLE

30MM LED OPTIC
ELLIPTICAL BEAM

DRAWN

BB

DATE

31-Jul-09

CHK'D

AB

DATE

20-Mar-12

APP'D

PW

DATE

20-Mar-12

SCALE

2:1

COIL PART No.

10759

SIZE

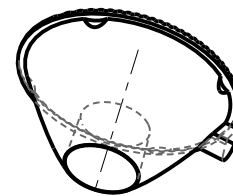
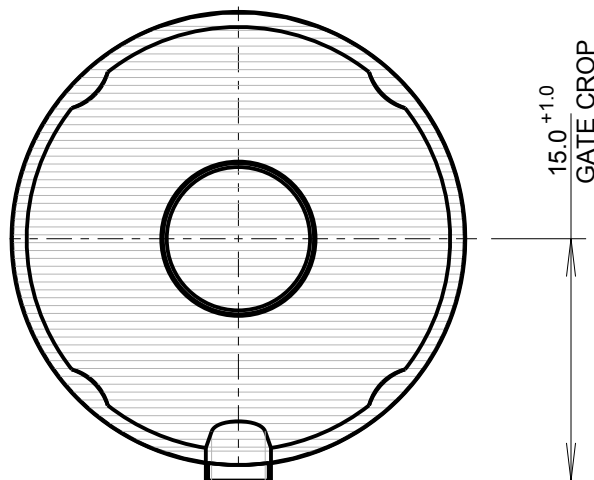
A4

COIL DRG. No.

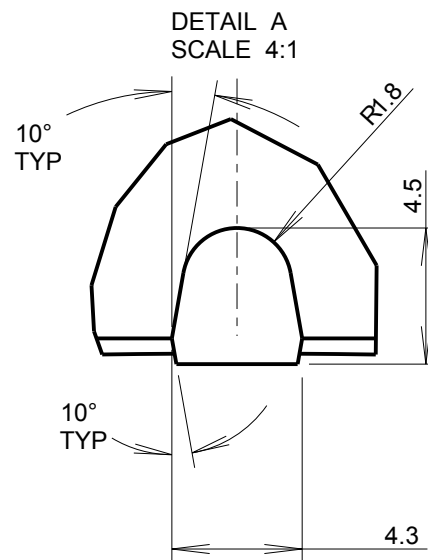
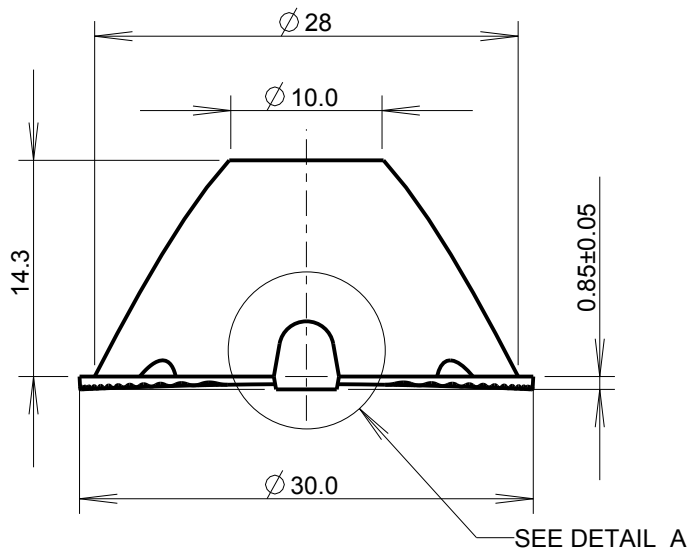
60580

SHEET

2 OF 2



SCALE 1:1
GENERAL VIEW



MATERIAL: POLYCARBONATE