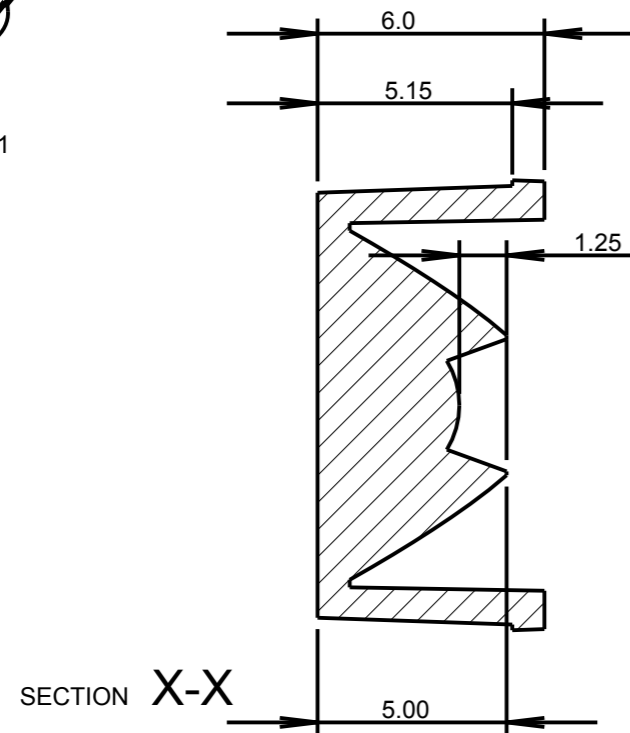


GENERAL VIEW

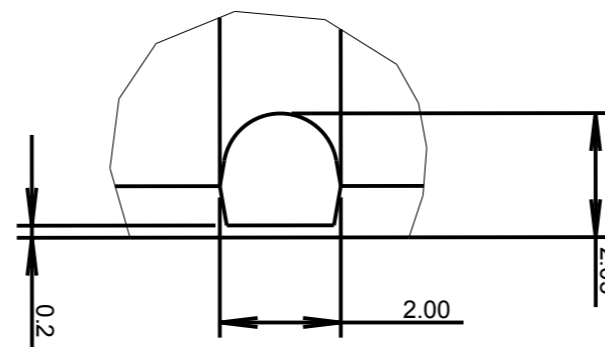
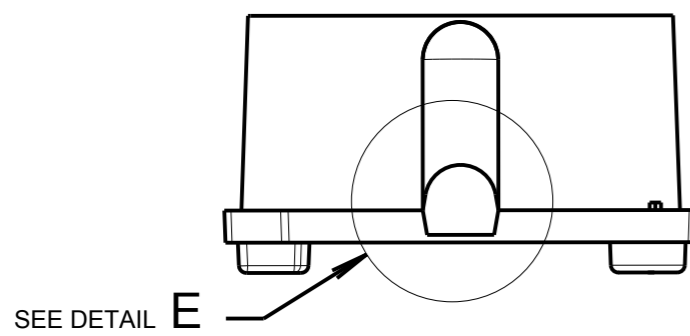
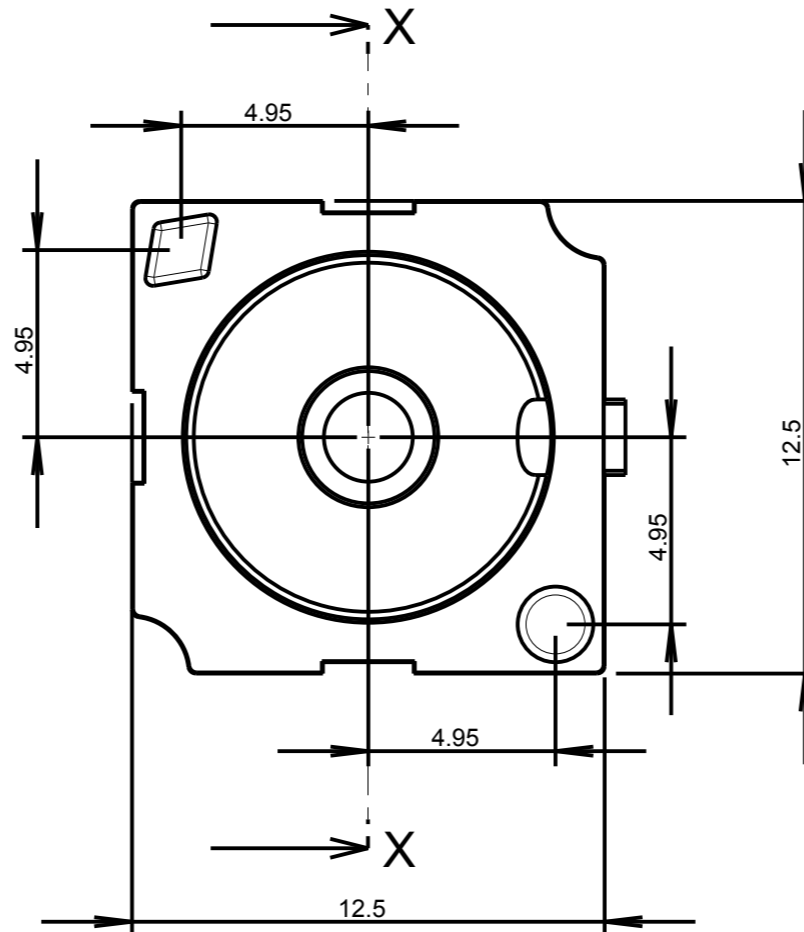


SCALE 1:1



CUSTOMER DRAWING

©2011 CTP-COIL
ALL DIMENSIONS IN mm



DETAIL E
SCALE 8:1

MATERIAL - UV STABILISED CLEAR POLYCARBONATE

ISS.	DATE	E.C.N.	DESCRIPTION
1	18-Aug-10		FIRST ISSUE
2	23-03-11	03/11/1294	ADD RECESS & DIM
3	17-Nov-11	11/11/1314	CHANGE 2.0MM PEGS HEIGHT TO 0.8mm



CARCLO TECHNICAL PLASTICS (SLOUGH)
103 BUCKINGHAM AVE, SLOUGH
SL1 4PF, ENGLAND
TEL: +44 1753 575011 FAX: +44 1753 811359
email: design@carclo-optics.com

GENERAL TOLERANCES (UNLESS STATED)

LINEAR	ANGULAR
X +/- 0.25	X +/- 1°
X.X +/- 0.1	X.X +/- 0.5°
X.XX +/- 0.05	X.XX +/- 0.1°

CUSTOMER

CARCLO

TITLE

10mm IP66 OPTIC
WIDE FROSTED

DRAWN

DATE

BB 18-Aug-10

CHK'D

DATE

MH 29-Nov-11

APP'D

DATE

PW 29-Nov-11

SCALE

5:1

CARCLO PART No.

10773

SIZE

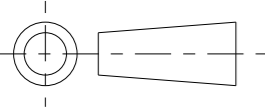
A3

CARCLO DRG. No.

60597

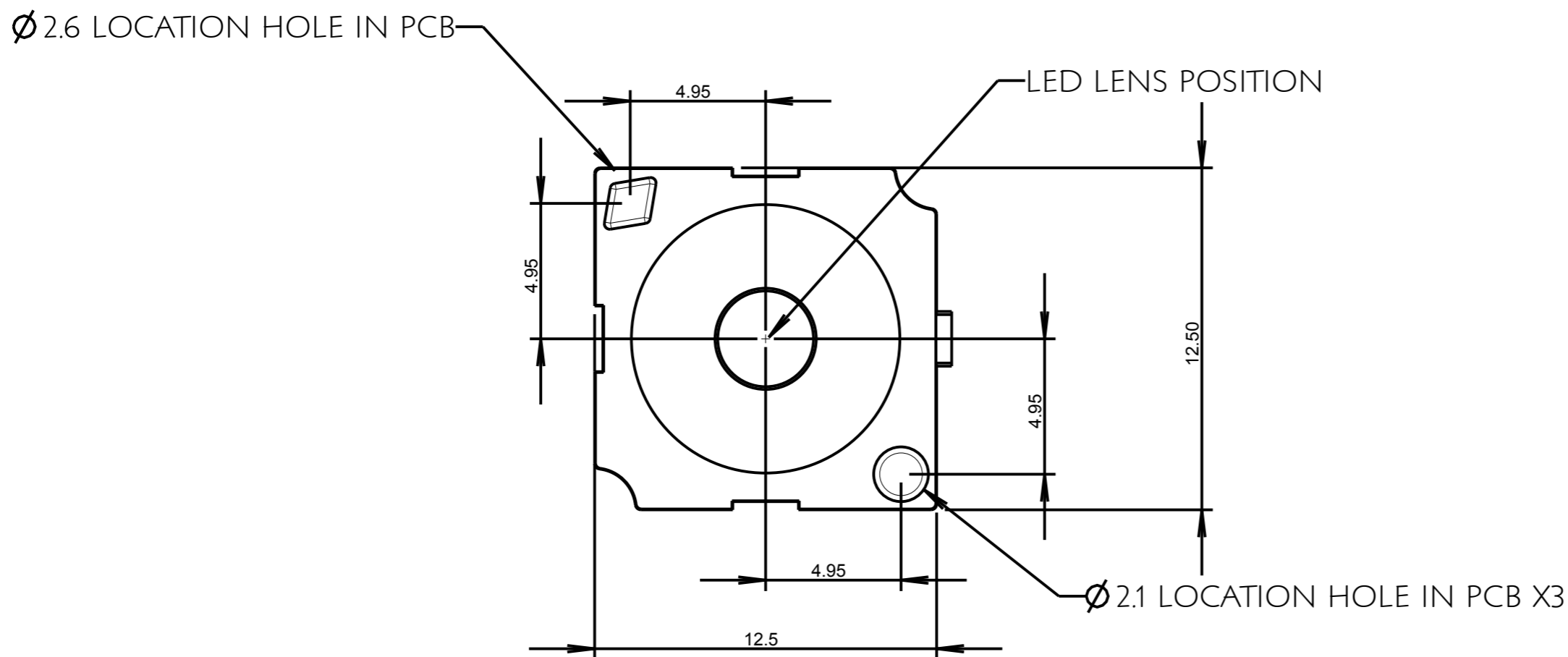
SHEET

2 OF 3



©2011 CTP-COIL
ALL DIMENSIONS IN mm

PCB GLUE PAD AND ALIGNMENT HOLE LAYOUT DIMENSIONS



ISS.	DATE	E.C.N.	DESCRIPTION
1	18-Aug-10		FIRST ISSUE
2	23-Mar-11	03/11/1294	ADD RECESS & DIM
3	17-Nov-11	11/11/1314	CHANGE 2.0MM PEGS HEIGHT TO 0.8mm



CARCLO TECHNICAL PLASTICS (SLOUGH)
103 BUCKINGHAM AVE, SLOUGH
SL1 4PF, ENGLAND
TEL: +44 1753 575011 FAX: +44 1753 811359
email: design@carclo-optics.com

GENERAL TOLERANCES (UNLESS STATED)

LINEAR		ANGULAR	
X	+/- 0.25	X	+/- 1°
X.X	+/- 0.1	X.X	+/- 0.5°
X.XX	+/- 0.05	X.XX	+/- 0.1°

CUSTOMER
CARCLO

TITLE
**10mm IP66 OPTIC
WIDE FROSTED**

DRAWN BB DATE 18-Aug-10

CHK'D MH DATE 29-Nov-11

APP'D PW DATE 29-Nov-11

SCALE 5:1 CARCLO PART No. 10773

SIZE A3 CARCLO DRG. No. 60597 SHEET 3 OF 3