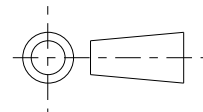


ISS.	DATE	E.C.N.	DESCRIPTION
3	15-Jan-07	1/07/1198	EJECTOR PIN CUTOUTS ENLARGED
3A	12-Oct-12	10/12/1350	CRITICAL VALUES ADDED

© 2011 CTP-COIL  
ALL DIMENSIONS IN mm



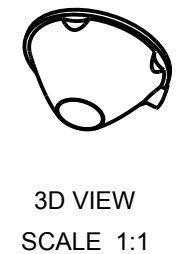
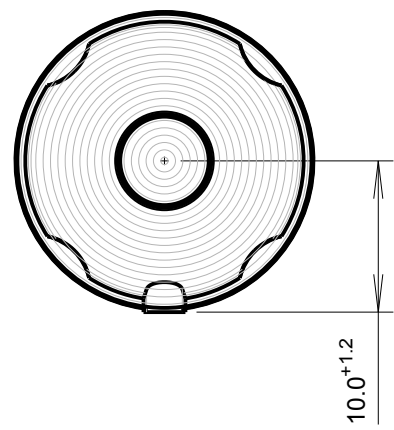
CUSTOMER DRAWING



CARCLO TECHNICAL PLASTICS (SLOUGH)  
103 BUCKINGHAM AVE, SLOUGH  
SL1 4PF, ENGLAND  
TEL: +44 1753 575011 FAX: +44 1753 811359  
e-mail: design@carclo-optics.com

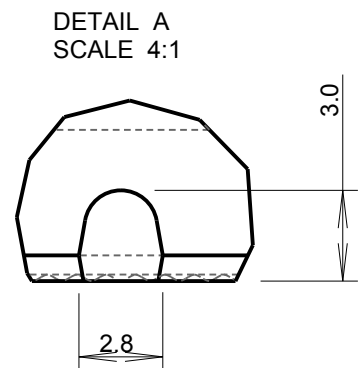
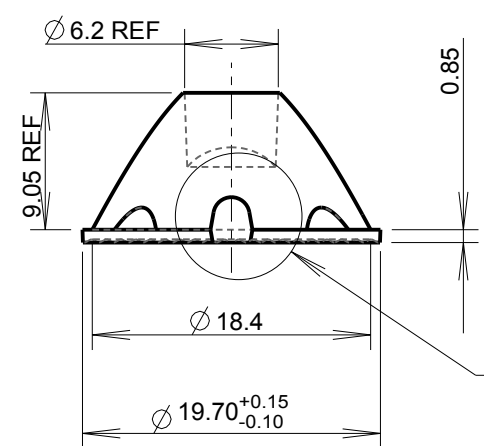
GENERAL TOLERANCES (UNLESS STATED)

LINEAR	ANGULAR
X +/- 0.25	X +/- 1°
X.X +/- 0.1	X.X +/- 0.5°
X.XX +/- 0.05	X.XX +/- 0.1°



CUSTOMER  
CARCLO

TITLE  
LED OPTIC 25 DEGREE



DRAWN  
AJD  
DATE  
26-June-02

CHK'D  
PW  
DATE  
12-Oct-12

APP'D  
MH  
DATE  
12-Oct-12

SCALE 2:1	COIL PART No. 10003/25
--------------	---------------------------

SIZE A4	COIL DRG. No. 60319	SHEET 2 OF 2
------------	------------------------	-----------------

NOTES:-  
1. MATERIAL: POLYCARBONATE